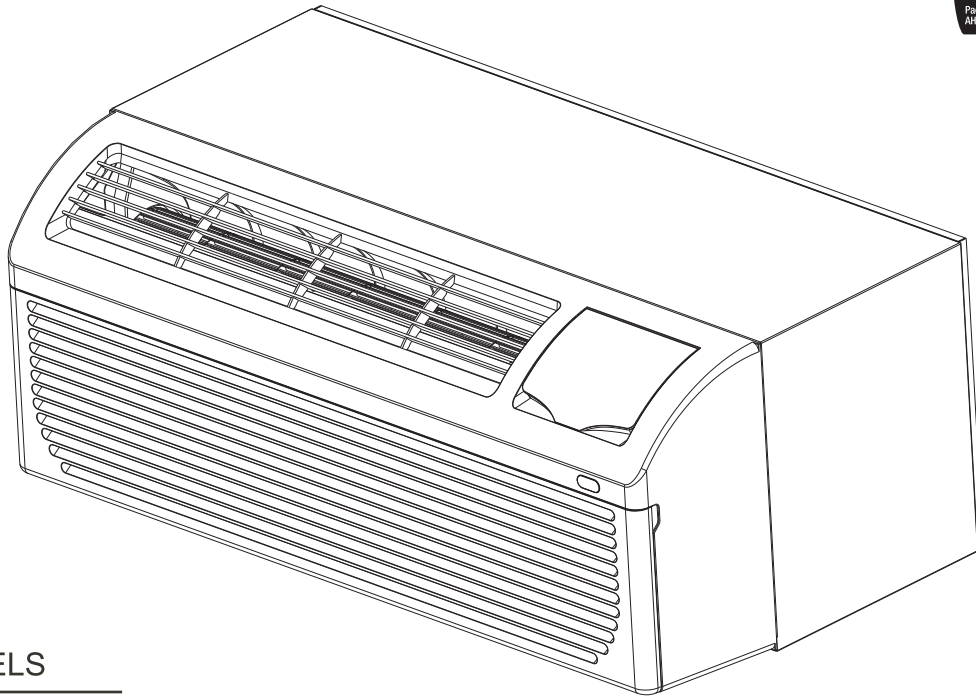


PACKAGED TERMINAL AIR CONDITIONER/HEAT PUMP INSTALLATION INSTRUCTIONS & OWNER'S MANUAL



MODELS

PCNTW07---6T
PCNTW09---6T
PCNTW12---6T
PCNTW15---6T

ATTENTION INSTALLATION PROFESSIONAL

As a professional installer you have an obligation to know the product better than the customer. This includes all safety precautions and related items.

Prior to actual installation, thoroughly familiarize yourself with this instruction manual. Pay special attention to all safety warnings.

Often during installation or repair it is possible to place yourself in a position which is more hazardous than when the unit is in operation.

Remember it is your responsibility to install the product safely and to know it well enough to be able to instruct a customer in its safe use.

Safety is a matter of common sense, a matter of thinking before acting. Most dealers have a list of specific good safety practices, follow them.

The precautions listed in this Installation Manual are intended as supplemental to existing practices. However, if there is a direct conflict between existing practices and the content of this manual, the precautions listed here take precedence.

CONTENTS

UNIT FEATURES.....	2
INSTALLATION INSTRUCTION.....	4
WIRING.....	7
OPERATING INSTRUCTIONS (ACCESSORY OPTIONAL).....	8
MAINTENANCE AND CLEANING.....	10
NORMAL OPERATING SOUNDS AND CONDITION.....	12
DIAGNOSTIC CODES.....	12
TROUBLE SHOOTING.....	13

IMPORTANT NOTES:

Before using this manual, check the serial plate for proper model identification.

The installation and servicing of this equipment must be performed by qualified, experienced technicians only.

Due to policy of continual product improvement, the right is reserved to change specifications and design without notice.

IMPORTANT NOTE TO THE OWNER

This manual is to be used by qualified, professionally trained HVAC technicians only. The manufacturer does not assume any responsibility for property damage or personal injury for improper service procedures or services performed by an unqualified Person.

IMPORTANT NOTE TO THE SERVICER

Read this manual and familiarize yourself with the specific items which must be adhered to before attempting to service this unit. The precautions listed in this Installation Manual are intended as supplemental to existing practices. However, if there is a direct conflict between existing practices and the content of this manual, the precautions listed here take precedence.

THE FOLLOWING WARNINGS ARE VERY IMPORTANT FOR SAFETY. PLEASE READ THEM CAREFULLY BEFORE INSTALLATION!

1. The air conditioner must be installed by certificated installer. It's forbidden to install by those amateur.
2. Please check whether there is grounding wire in the power supply system before installation. If not, installers should refuse installing and explain the safety principle to users.
3. To avoid electric shock or even death, the socket or terminal blocks for power supply to the air conditioner(include 277V and 115V and 208~230V series and the units that have LCDI power cord) must connect a Ground Fault Circuit Interrupter.
4. During installation, the wire connection must strictly follow the rule which is zero line and fire line of unit should be connected to the zero line and fire line in the power system. The connection in reverse is forbidden. Please be sure the ground wire is firmly connected otherwise it is possible to result in the electrical shock or death.

RECOGNIZE THIS SYMBOL AS A SAFETY PRECAUTION

⚠ WARNING

THE MANUFACTURER WILL NOT BE RESPONSIBLE FOR ANY INJURY OR PROPERTY, DAMAGE ARISING FROM IMPROPER SERVICE OR SERVICE PROCEDURES. IF YOU INSTALL OR PERFORM SERVICE ON THIS UNIT, YOU ASSUME RESPONSIBILITY FOR ANY PERSONAL INJURY OR PROPERTY DAMAGE WHICH MAY RESULT, MANY JURISDICTIONS REQUIRE A LICENSE TO INSTALL OR SERVICE HEATING AND AIR CONDITIONING EQUIPMENT.

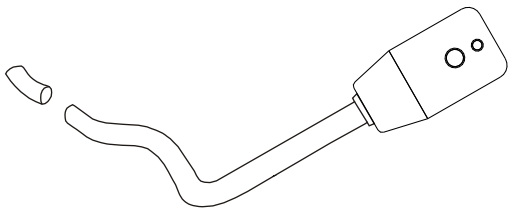
⚠ WARNING

HIGH VOLTAGE
DISCONNECT ALL POWER BEFORE SERVICING OR INSTALLING THIS UNIT. MULTIPLE POWER SOURCES MAY BE PRESENT, FAILURE TO DO SO MAY CAUSE PROPERTY DAMAGE, PERSONAL INJURY OR DEATH.

UNIT FEATURES

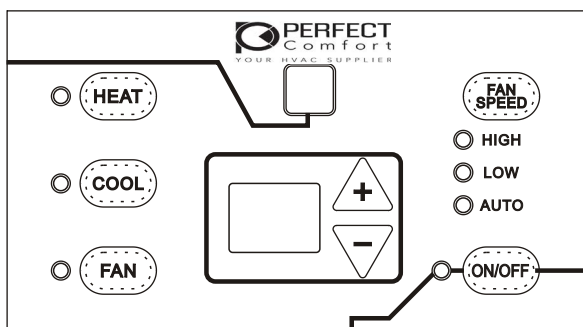
This unit has many features which are different than those found on conventional PTAC units. The servicer must be familiar with these features in order to properly handle the unit.

- **LCDI Cords**—Underwriters Laboratories and the National Electric Code (NEC) now require power cords that sense current leakage and can open the electrical circuit to the unit on units rated at 250 volts or less. In the event that unit does not operate, check the reset button located on or near the head of the power cord as part of the normal troubleshooting procedure.



LCDI power Cord

- **Automatic 3-minute compressor lockout**—After the compressor cycles off, it will not restart for three minutes.
- **Random restart delay**—To help eliminate power surges after a power outage, the unit is equipped with a two to four minute random restart delay feature. Whenever the unit is plugged in with the master switch turned on and the mode switch set in the cool or heat mode, a random restart will occur. A random restart condition can be avoided by setting the mode switch in the fan only or off position before applying power to the unit.
- **Indication LEDs**—The control panel has LEDs that correspond to fan operation and to indicate unit status. The LEDs next to the selections ON/OFF, FAN, COOL, and HEAT indicate which operational mode is active.



- **High Pressure Protection**—The unit will shut off automatically when the pressure in the system is over 638 psi and within 10 minutes, after the compressor turns off, the unit will restart when the pressure turns back below 551 psi. This protection can effectively avoid the burst and leakage of pipes, lessen the system failures and prolong the service life.

- **Failure Tolerance**—If the unit is in protection mode less than 4 times in one hour, the accumulation times will reset to avoid system failure. Only when the unit enters protection mode more than 4 times in one hour, the system will fail to restart automatically and need manual restart.

- **Standard Physical Dimensions**—The series PTAC is with the same dimensions 42" wide x 16" high x 13-3/4" deep

Replacement of older units is made easy.

- **Weather-Protected Electrical Components**—Vital electrical components are protected from the weather by locating them on the indoor side of the weather barrier.

- **Highly Featured Microprocessor Controls**—Microprocessor controls are programmed to interface with the temperature sensors to maximize comfort conditions for the room occupant and provide outstanding features.

Thermistors are used to sense small changes in temperature to give excellent room control and allow the microprocessor to monitor and react to changing conditions.

- **Automatic Emergency Heat on Heat Pump Units**—Automatically uses electric resistance heat if the heat pump fails.

- **High-Temperature Heat Pump Operation Protection**—Automatically protects the compressor if heat pump is operated with high indoor coil temperatures. Power to the outdoor fan and the compressor are turned off if the indoor coil gets too hot during heat pump operation to prevent damage to the compressor.

- **Fan Motors Permanently Lubricated**—All units have two fan motors for quiet operation and maximum operating efficiency.

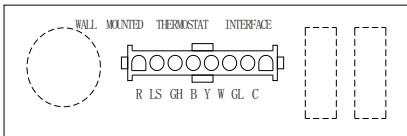
Motors are permanently lubricated to reduce maintenance and totally enclosed to keep dirt and water out of the motor windings.

- **Indoor Fan Speed Selections LOW /HIGH**—Unit may be operated in low fan speed or high fan speed. Some speed may not be present based on unit capacities.

- **Rotary Compressor**—Smoother operation for quiet, dependable service and high efficiency.

- **Indoor Coil Frost Control**—Prevents indoor coil from freezing. Frost can form on the indoor coil when the unit is operated in cooling when the outdoor temperature is low. The unit automatically shuts the compressor off until the indoor coil temperature warms to the point where frosting will no longer occur. Then restart the compressor.

- **LS Control (front-desk control)**—The unit can be turned ON/OFF by front desk control switch. The control wire, colored purple, locates in the wall mounted thermostat interface (refer to Fig. 9 on page 8).

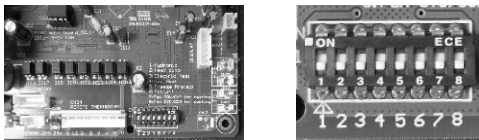


The control logic as below:

1. Turn ON unit: short circuit R and LS then release for one time within 5 seconds.
2. Turn OFF unit: short circuit R and LS then release for twice within 5 seconds.
3. Force unit shut down for one time: connect LS to R for over 5 seconds.

NOTE: After force shut down, you can turn the unit ON again by hand-held remote controller or the control panel.

- **Special Control Functions for DIP Switches** - The DIP switch is on main board.



NO.5 - for auto heating (unit must have heating function, cooling only model does not share this function). When unit is connected to the power supply, and room temperature is lower than 10°C/50°F for 3 minutes, unit will start heating automatically no matter what the setting mode is. Only when room temperature reaches 13°C/55°F will heating stop.

Put to ON position enables this function.

NO.6 - Electric Power-off Memory. After power on, the unit will run the same settings as last time. Put to ON position enables this function.

NO.7 - Fan CON/CYC for heating
Put to ON position enable fan continuously running for heating. The default setting is fan cycled for heating.

NO.8 - Fan CYC/CON for cooling
Put to ON position enable fan cycled for cooling. The default setting is fan continuously for cooling.

WARNING: Before service, you must disconnect the power cord to avoid electric shock! Forbid to reprogram DIP switches NO.1 to NO.4, otherwise the unit will fall into wrong control or even cause fire! After changing the DIP switch, power the unit on again, the new function will be activated.

⚠ WARNING

HIGH VOLTAGE
DISCONNECT ALL POWER BEFORE SERVICING OR INSTALLING THIS UNIT. MULTIPLE POWER SOURCES MAY BE PRESENT, FAILURE TO DO SO MAY CAUSE PROPERTY DAMAGE, PERSONAL INJURY OR DEATH.

UNIT ACCESSORIES

This unit is designed for through-the-wall installation in new or existing buildings. To complete the installation of this PTAC, an insulated wall sleeve and an outdoor grille (either the stamped aluminum grille, or the architectural grille) are required.

The chassis and the cabinet front are shipped in one carton. Optional accessories to complete a particular installation are the following:

OPTIONAL ACCESSORIES

- Power switch Kit
- Wall Sleeve Kit
- Key Lock Kit
- Drain Kit
- Filter Kit
- Hard Wire Kit
- Wire Harness Kit
- Architectural Grille Kit
- Stamped Louver Kit
- LCDI Power Cord
- Wireless IR Antenna
- Wireless IR Thermostat
- Electric And Non Electric Sub Base Kit
- IR REMOTE CONTROLLER

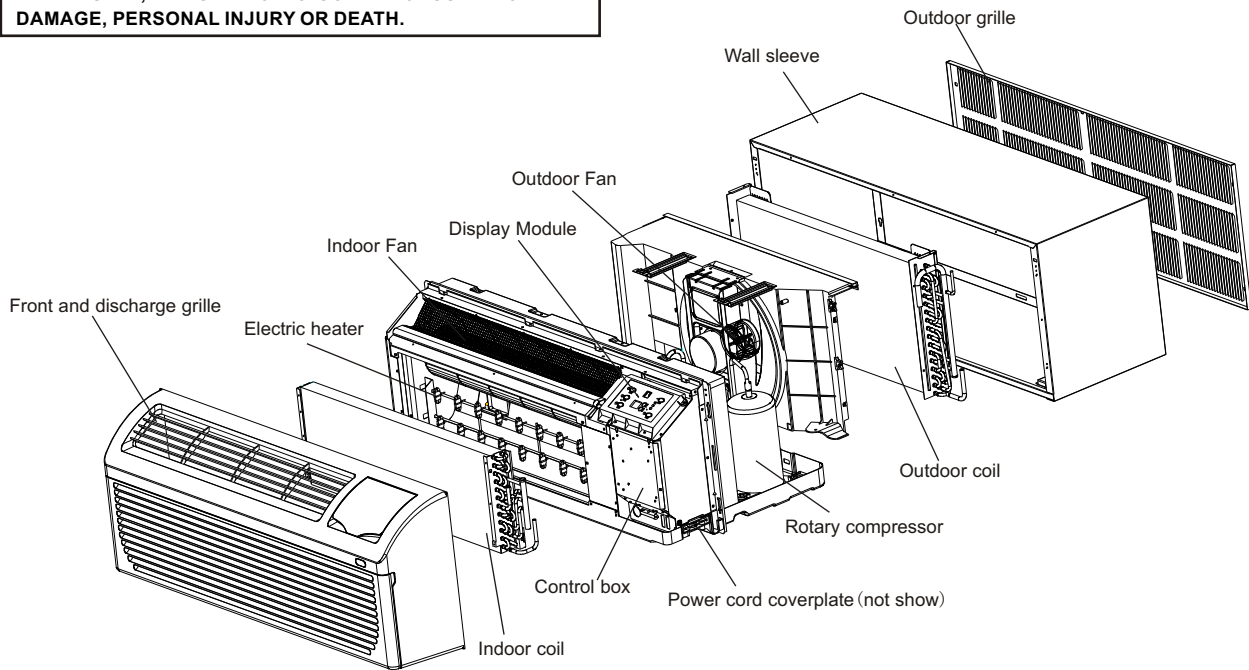
NOTE: Consult sales literature for the appropriate voltage and amperage selections, if applicable.

INSTALLATION INSTRUCTIONS

To ensure that the unit operates safely and efficiently, it must be installed, operated and maintained according to these installation and operating instructions and all local codes and ordinances or, in their absence, with the latest edition of the National Electric Code. The proper installation of this unit is described in the following sections. Following the steps in the order presented should ensure proper installation.

⚠ WARNING

HIGH VOLTAGE
DISCONNECT ALL POWER BEFORE SERVICING OR
INSTALLING THIS UNIT. MULTIPLE POWER SOURCES MAY
BE PRESENT, FAILURE TO DO SO MAY CAUSE PROPERTY
DAMAGE, PERSONAL INJURY OR DEATH.



WALL SLEEVE ASSEMBLY (OPTIONAL ACCESSORY)

Two kinds of wall sleeve are optional for customers, one is reassemble wall sleeve and the other one is welding integrated wall sleeve.

Removable Wall Sleeve

The removable wall sleeve can be removed and occupies less space and is convenient to transport. Follow the below steps to install :

- a) Unpack all parts and accessories, referring to Fig 1.
- b) Assemble the wall sleeve by first "clip locking" the side pieces to the bottom piece.
- c) Assemble the top piece to the assembled side and top piece.

Welded integrated wall sleeve

Welded integrated wall sleeve is featured by artistic appearance and stable structure referring to Fig 2. Customers can purchase together with unit.

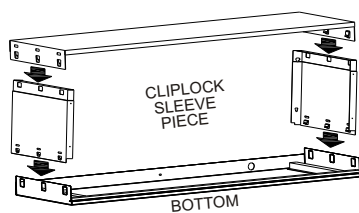


Fig 1

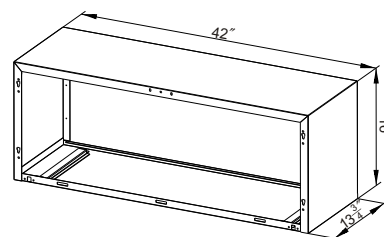


Fig 2

SLEEVE INSTALLATION

Wall sleeve location

When making the wall opening, please observe the following requirement:

- A) The air inlet and outlet should be unblocked and the air can be delivered to every corner of the room
- B) Install the unit in places that are away from heat source or sources of flammable gases.
- C) Do not install the unit in places that are subject to strong dust
- D) Do not install the unit in places where the operational noise and exhausted air might trouble your neighbour.
- E) There should be sufficient space margins around the unit to facilitate maintenance and repairs(refer to Figs 3 and 4)

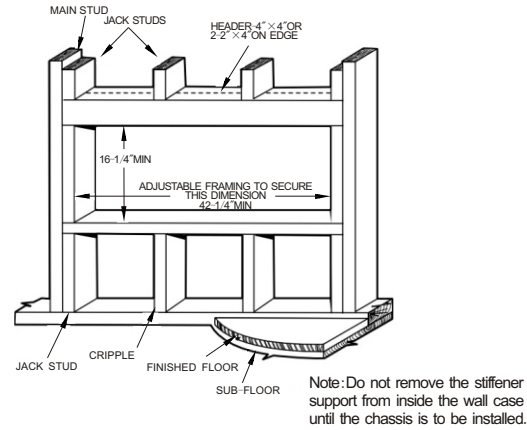


Fig 5

Chart 2

	minium finished opening dimensions		sleeve dimensions		
	Height	width	height	width	depth
NO. 1	16-1/4"	42-1/2"	16"	42"	13-3/4" (16"/18"/24")
NO. 2	16-1/4"	42-1/4"			

NOTE: NO. 1 means using field supplied sleeve angles
NO. 2 means not using field supplied sleeve angles

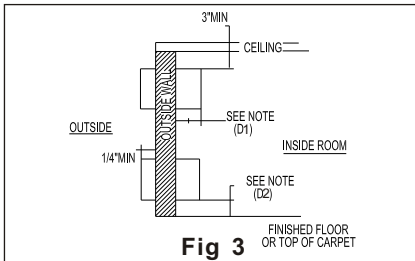


Fig 3

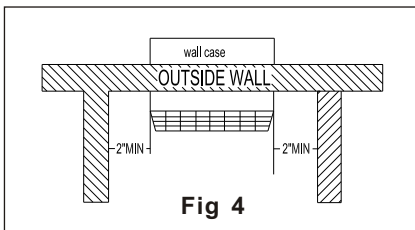


Fig 4

Chart 1

Dimensions	Recommended installation clearance
D1	Projection of case into room-1/2" minimum up to 1-3/4" maximum without use of electrical sub-base. Note: 2-3/8" minimum when sub-base is used.
D2	Height above finished floor or top of carpet-1/2" minimum, 2" recommended without sub-base-3" minimum with sub-base.

Preparation of the wall

The sleeve should be installed during construction and lintels should be used to support the block above the wall sleeve. The sleeve can not support the load of bricks/blocks.

For existing construction, wall opening must be created, the proper dimensions are necessary to avoid use of fillers or additional framing .The sleeve is modular in height and width(refer to Fig 5& Chart 2).

Height:

- Fits 2 courses concrete block
- Fits 6 courses standard brick
- Fits 5 courses jumbo brick

Width:

Fit approximately 3 stud spaces.

In order for condensate water to drain properly inside the unit, the sleeve must be installed properly:

- Level from right to left.
- A slight downward pitch from the indoor side to the out-door side as shown below (Fig 6) .
- Fasten the wall sleeve (Fig 7) .

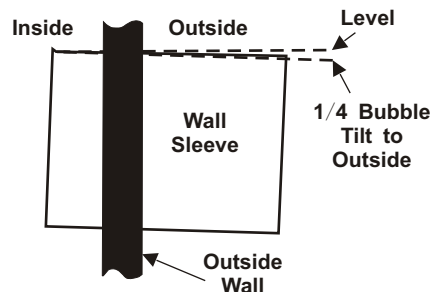


Fig 6 Proper Sleeve Tilt

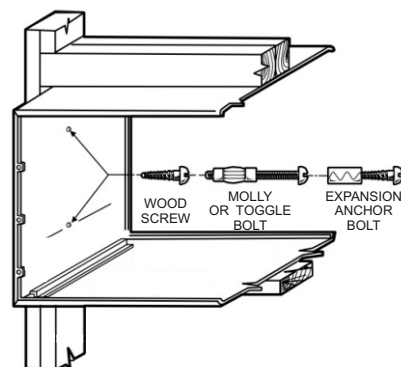


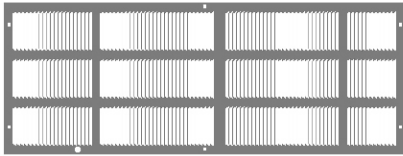
Fig 7

OUTDOOR GRILLE(OPTIONAL ACCESSORY)

An outside grille must be installed to direct air flow for proper unit operation and also protect the outdoor coil. The grille must be installed before installing the chassis.

When replacing an old chassis with an existing grille or using a specialized grille in a new installation, please check with after-sales engineer of supplier to determine if the new chassis should be used with the nonstandard specialized grille. An improper outdoor grille can decrease cooling or heating capacity, increase energy usage and shorten compressor life and possibly void the warranty.

Flush Stamped Louver

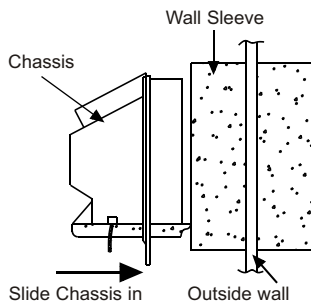


Architectural Louver



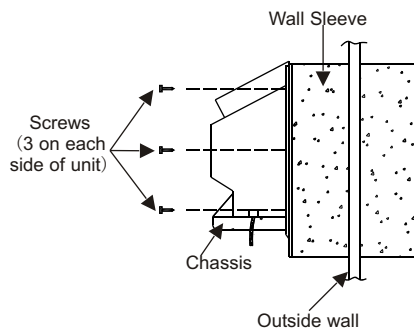
CHASSIS INSTALLATION

1. Remove the cabinet front from the chassis as described in Front Removal.
2. Insert the chassis into the wall sleeve.



Chassis Installation View 1

3. Slide the chassis into the wall sleeve until the chassis flanges contact the front edge of the wall sleeve.



Chassis Installation View 2

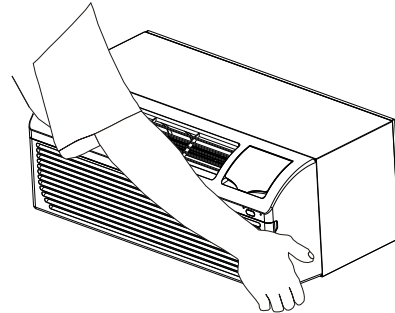
4. Secure the chassis to the wall sleeve using three screws on each side of the chassis to ensure a proper seal between the chassis and the wall sleeve. The screws are supplied in a plastic bag.

IMPORTANT NOTES:

1. The unit is equipped with a rubber grommet mounted compressor. These grommets are factory set and require no adjustment.
2. Check the indoor and outdoor grilles for obstructions to air flow. The unit must be located where curtains, furniture, trees, or other objects do not block the air flow to and from the unit. If air is obstructed and/or deflected back into the unit, the air conditioner compressor may cycle on and off rapidly. This could damage the compressor or possibly void the warranty.

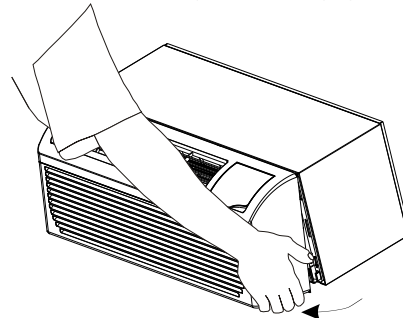
FRONT REMOVAL

1. Grasp the cabinet front.



Cabinet Front Removal View 1

2. Pull the bottom of the cabinet front away from the chassis until the retaining clips disengage.



Cabinet Front Removal View 2

3. Lift the cabinet front off the chassis. Reverse this procedure to reinstall the cabinet front

WIRING

Cord connection to a wall socket is not permitted for 265V units. All 265V units must be hard wired using the hard wire kit or make use of the plug in receptacle in the standard subbase.

230~208V units are equipped with LCDI power cords and can open the electrical circuit to the unit. In the event the unit does not operate, check the reset button located on or near the head of the power cord as part of the normal trouble shooting procedure.

Operating Voltage		
Unit Voltage	Voltage Utilization Range	
Rating	Minimum	Maximum
230/208	187	253
265	238	292

Chart 3 -Operating Voltage

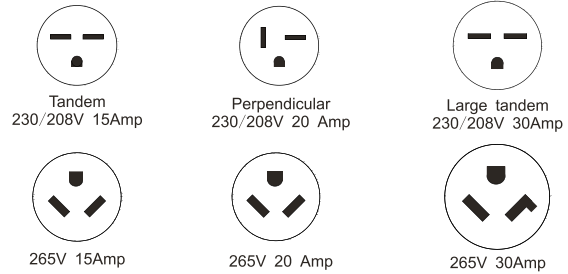
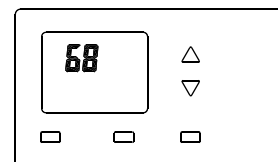
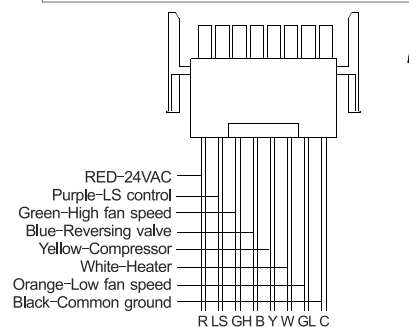
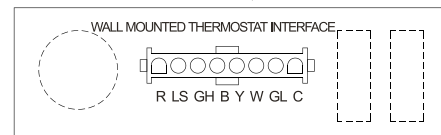
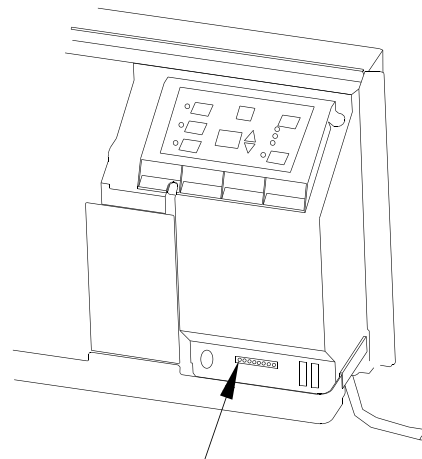


Fig 8 Receptacles/Sub-bases



Thermostat

Fig 9 wall mounted thermostat wiring

NOTE: See the "Remote Thermostat Change" instructions before use the thermostat.

⚠ WARNING

HIGH VOLTAGE
DISCONNECT ALL POWER BEFORE SERVICING OR INSTALLING THIS UNIT. MULTIPLE POWER SOURCES BE PRESENT, FAILURE TO DO SO MAY CAUSE PROPERTY DAMAGE, PERSONAL INJURY OR DEATH.
DO NOT SERVICE THIS UNIT WITHOUT FIRST SHUTTING OFF THE POWER TO THE UNIT FROM THE CIRCUIT BREAKER AND/OR REMOVING THE UNIT CORD SET PLUG FROM THE WALL OUTLET.

⚠ WARNING

TO AVOID THE RISK OF PROPERTY DAMAGE, PERSONAL INJURY OR FIRE, USE ONLY COPPER CONDUCTORS.

⚠ WARNING

TO AVOID PROPERTY DAMAGE, PERSONAL INJURY OR DEATH DUE TO ELECTRICAL SHOCK, DO NOT USE AN EXTENSION CORD WITH THIS UNIT.

⚠ WARNING

TO AVOID THE RISK OF PROPERTY DAMAGE, PERSONAL INJURY OR FIRE DO NOT INSTALL WITH POWER CORD STRETCHED OR UNDER A STRAIN AS THIS MAY CREATE LOOSE PLUG/RECEPTACLE CONNECTION.

⚠ WARNING

TO AVOID THE RISK OF PERSONAL INJURY, WIRING TO THE UNIT MUST BE PROPERLY POLARIZED AND GROUNDED.

⚠ WARNING

THIS AIR CONDITIONER IS NOT MEANT TO PROVIDE UNATTENDED COOLING OR LIFE SUPPORT FOR PERSONS OR ANIMALS WHO ARE UNABLE REACT TO THE FAILURE OF THIS PRODUCT.
THE FAILURE OF AN UNATTENDED AIR CONDITIONER MAY RESULT IN EXTREME HEAT IN THE CONDITIONED SPACE CAUSING OVERHEATING OR DEATH OF PERSONS OR ANIMALS.

VOLTAGE MEASUREMENTS

Once the unit is properly wired, measure the unit supply voltage. Voltage must fall within the voltage utilization range given in Chart 3.

OPERATING INSTRUCTIONS (ACCESSORY OPTIONAL)

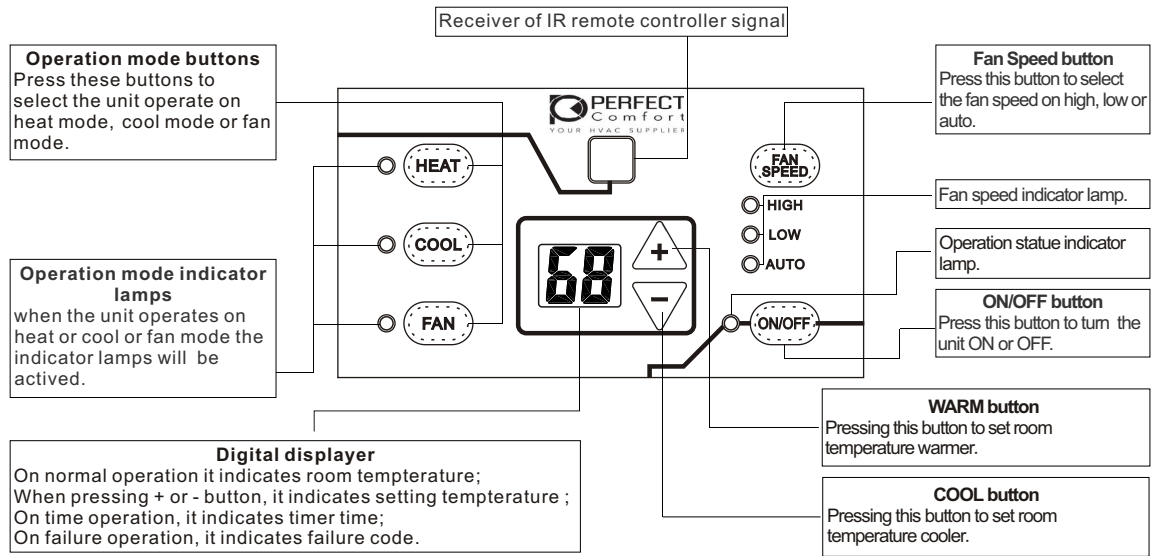


Fig 10 Use of unit mounted control panel

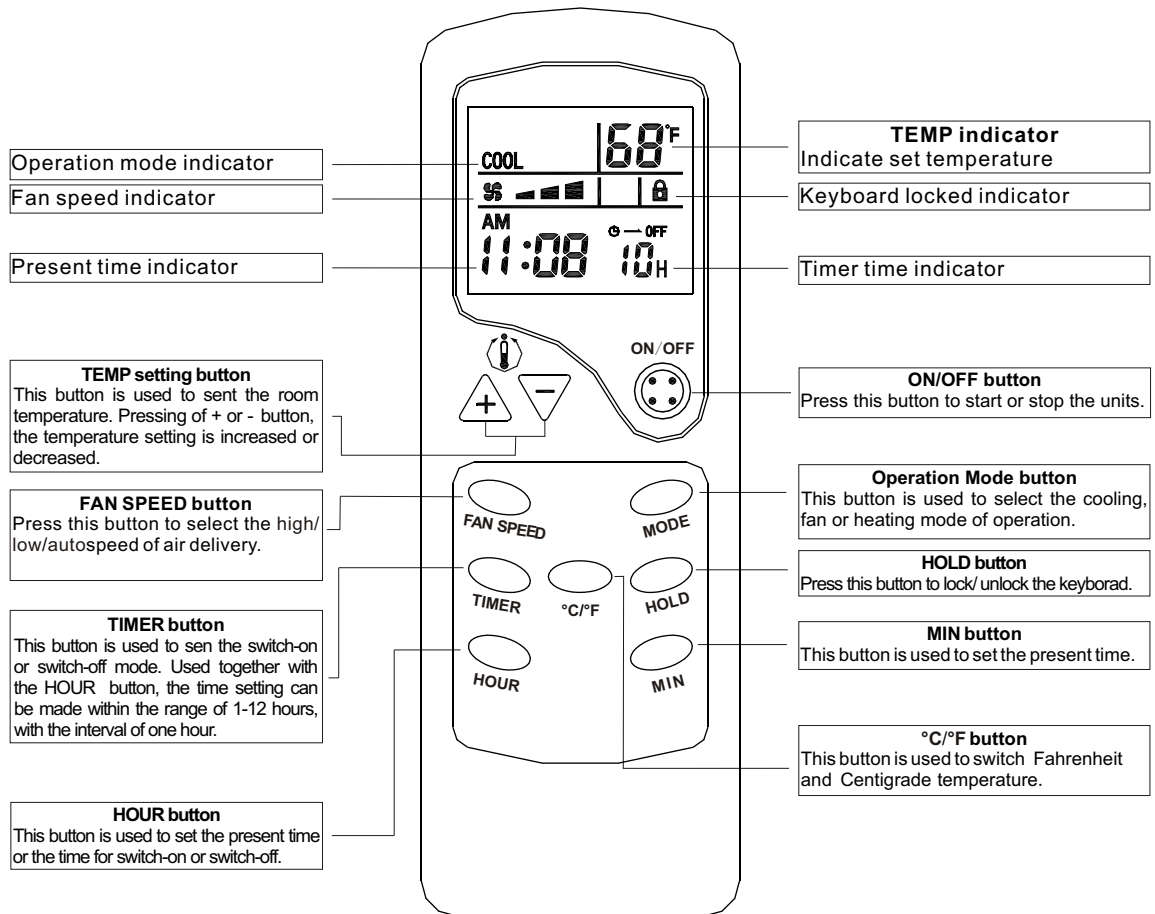


Fig 11 Use of hand held remote controller

COOL/FAN/HEAT MODE OPERATION PROCEDURE

Control panel:

- Press the ON/OFF button.
- Press the HEAT/COOL/FAN button, select the operation mode: heat/cool/fan.
- Press + or - button, to set your desired temperature. The setting temperature range is 60-90°F(16-32°C).
- Press the FAN SPEED button, to set your desired air flow rate: high/ low/auto.

Remote controller:

- Press the ON/OFF button with the remote controller pointing toward the packaged terminal air conditioner.
- Press the MODE button, select the operation mode: cool/fan/heat.
- Press + or - button, to set your desired temperature. The setting temperature range is 61-88°F(16-31°C).
- Press the FAN SPEED button, to set your desired air flow rate:high/ low/auto.

TIMER PROCEDURE (Remote controller)

When cells are inserted, the present time is automatically set to AM 0:00.EX.:set to AM 10:30.

- Open the back cover, push the CLK button .The time indicator is flickering and can set the present time.
- Press the HOUR button.(set to AM 10:00)
- Press the MIN button.(set to 30)
- Press the CLK button again, and then close the back cover.

SENIOR OPERATION

1) **Temperature shift key:** Press + and - button at the same time for 3 seconds, the temperature is shifted between Fahrenheit and centigrade.

2) **Temperature setting limiting:** Press + and SPEED button at the same time to enter the maximum and minimum temperature setting. R1~R8 will be display every 3 seconds. Relieve the two keys to ensure the setting effective and the figures will last for 5 seconds. The temperature setting range is between 60°F~90°F as factory default.

Chart .Temperature setting limiting

R1	R2	R3	R4	R5	R6	R7	R8
Heating Temperature Limits (°F)							
86	86	90	74	92	90	72	90
Cooling Temperature Limits (°F)							
63	65	72	72	67	69	68	60

3) **Remote thermostat change:** On standby off mode, press HEAT and + button, for 3 seconds, the buzzer will chime and LED display will read "P" or "F".

P: unit control panel has control of unit.

F: wall thermostat has control of unit.

VENTILATION CONTROL

The ventilation control lever is located at left side of unit, behind front panel.

NOTE: The vent door shipping tape must be removed before using vent control lever. See Fig 12 and Fig13.

When set at close, only the air inside the room is circulated and filtered;

When set at open, some outdoor air will be drawn into room, this will reduce heating or cooling efficiency.

Fresh Air CFM:

All 7K and 9K Btu model is 45CFM

All 12K and 15K Btu model is 50CFM

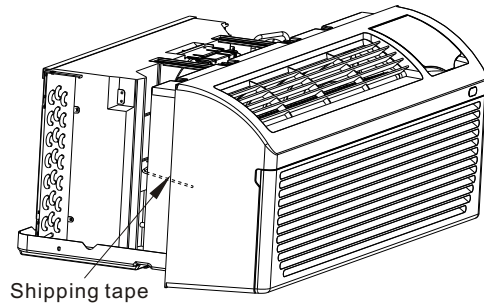


Fig 12 Shipping tape Location

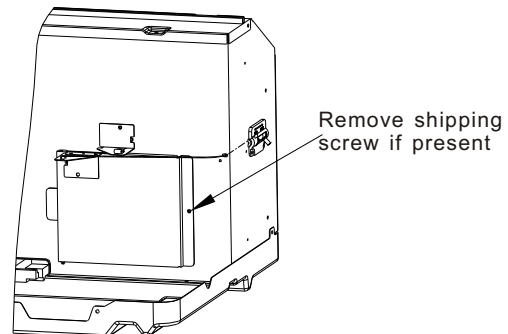


Fig 13 Shipping Screw Location

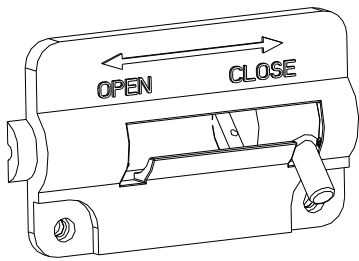
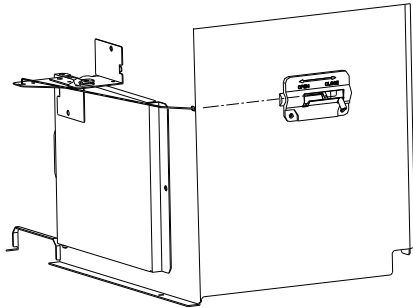
The vent control allows outside air to be drawn into the conditioned area. This outside air can provide ventilation when the blower is operating, but it will increase the heating or cooling load and operating costs.

To obtain access to the vent control

1. Remove the cabinet front (see Front Removal).
2. Remove the shipping screw (if installed) from the vent door.
3. Remove the label (if present) from over the vent control lever on the left side of the chassis. Remove the vent door shipping screw.
4. Rotate the vent control lever to either open or close the damper.

⚠ WARNING

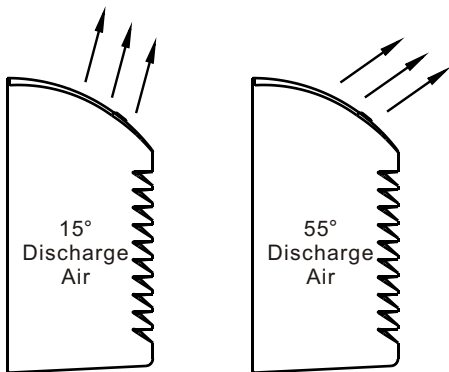
HIGHVOLTAGE
DISCONNECT ALL POWER BEFORE SERVICING OR INSTALLING THIS UNIT. MULTIPLE POWER SOURCES BE PRESENT, FAILURE TO DO SO MAY CAUSE PROPERTY DAMAGE, PERSONAL INJURY OR DEATH.



Vent door lever positions

AIR DISCHARGE GRILLE

The discharge grille can be adjusted to expel air at either a 15° or 55° angle.



Discharge Grille Orientation Options

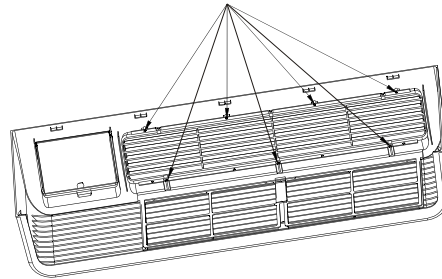
Use the following procedure to change the angle of the discharge air flow:

1. Remove the front cabinet (see Front Removal).
2. Position the front so that the backside is accessible.

Discharge Air Flow

3. Remove the seven (7) screws which secure the discharge air grille to the cabinet front.

Location of 7 Screws



Discharge Air Flow Grille Removal

4. Rotate the grille 180° clockwise
5. Reinstall the screws securing the discharge air grille to the cabinet front. Reinstall the cabinet front on the unit.

MAINTENANCE AND CLEANING

⚠ WARNING

HIGH VOLTAGE
DISCONNECT ALL POWER BEFORE SERVICING OR INSTALLING THIS UNIT. MULTIPLE POWER SOURCES BE PRESENT, FAILURE TO DO SO MAY CAUSE PROPERTY DAMAGE, PERSONAL INJURY OR DEATH.

MONTHLY MAINTENANCE AND CLEANING

Intake Air Filters

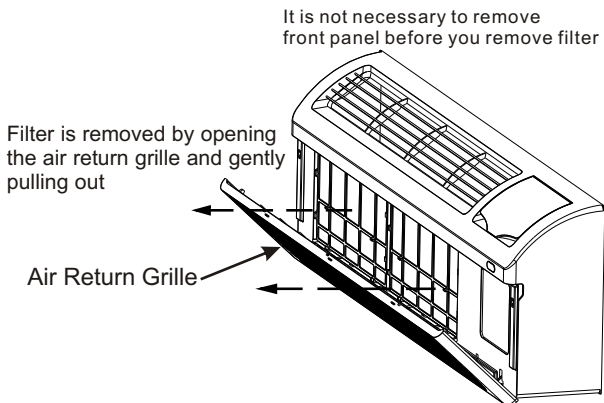
To properly maintain the operational performance of your PTAC unit, it is extremely important that the inlet air filters be cleaned once per month or more often if operated in dusty or dirty locations or conditions. The intake air filters are constructed of durable polypropylene. The "air intake" air filters can be easily inserted into the cabinet front, using the filter guides. Before cleaning the intake filter, turn the unit off by setting the mode switch to the OFF position. Filter should be cleaned as required.

The following procedure is used to remove the intake filter:

1. Grasp each filter by its molded handle, located on the front edge of the front, below the discharge grill.

2. Pull the filter straight up and remove.
3. Clean filter with vacuum or with running water.

Reverse this procedure to reinstall the filter.



Vent Screen

Before cleaning the vent screen, disconnect power to the unit by unplugging the power cord at the wall outlet or subbase, or disconnect power at the fuse box or circuit breaker. If unit is operated with vent door closed, the vent screen does not need

to be cleaned.

1. Remove the cabinet front as described in Front Removal.
2. Remove the six screws securing the chassis to the wall sleeve.
3. Slide the chassis out of the wall sleeve far enough so that the vent screen is accessible.
4. Clean the vent screen, slide the chassis back into the wall sleeve, secure it in place with six screws and reinstall the front cabinet.

Cabinet Front

The cabinet front and discharge air grille can be cleaned with a water dampened cloth. Under no circumstances should hydrocarbon-based cleaners (e.g. acetone, benzene, naphtha gasoline, etc.) or ammonia based cleaners be used to clean the front or air grilles. Use care when cleaning the control area.

YEARLY MAINTENANCE AND CLEANING

NOTE: Use a mild biodegradable detergent when cleaning the unit. Special care must be taken to protect the unit's control board and other electrical components from getting any water on them while cleaning. The use of harsh or caustic cleaning agents or materials such as bleach or coil cleaners that are not designed for PTAC products will cause damage or deterioration of the aluminum fin or coil material and is not recommended. Care must be taken not to bend the aluminum fin stock.

Routine scheduled Maintenance

To achieve continuing top performance and high efficiency, establish a "once a year" cleaning/inspection schedule for the unit. Take the unit out of the sleeve and thoroughly clean and rinse. Be sure to include in the yearly cleaning the evaporator coil, and condenser coil, basepan, and drain passages.

Scheduled maintenance can be accomplished by either qualified local maintenance staff or by an authorized servicer. They must follow the instructions described in this manual.

Adverse Operating Conditions Maintenance

Units operating in dusty or corrosive locations; i.e. dusty construction site or sea coast, must be cleaned more often. A minimum of four (4) times a year will maintain proper operational conditions and protect unit components.

Wall sleeve

Clean the wall sleeve while cleaning the unit. The caulking around the sleeve should be checked to make sure that any potential air and water openings around the sleeve are properly sealed. The wall sleeve's level should also be rechecked. Proper leveling for most installations are a 1/4 bubble tilt to the outside and level from right to left. Contact your sales person for detailed maintenance or cleaning instructions.

⚠ CAUTION!

DO NOT USE COMMERCIAL GRADE COIL CLEANERS. SOME OF THESE CLEANERS MAY CONTAIN ETHYLENE DIAMINE TETRACETIC ACID (EDTA) WHICH CAN SHORTEN THE LIFE OF THE CONDENSER COIL.

Base pan and Condenser coil

Before cleaning the base pan and condenser coil, turn OFF unit mode switch and disconnect power to the unit.

To disconnect power, either unplug the power cord at the wall outlet or subbase, or disconnect power at the fuse box or circuit breaker

1. Create a water tight seal by tightly covering the entire control panel area and fan motor with plastic. Creating this seal prevents water from entering the control area or the fan motor and damaging the unit.
2. Spray condenser coil and base pan down with water. Next spray a mild biodegradable detergent onto the condenser coil and base pan. Let set for five (5) minutes.
3. Rinse condenser coil and base pan with water again.

NOTE: Ensure water pressure is no higher than that of an ordinary garden hose and the water temperature no higher than 120° F.

4. Tilt the non-compressor side of the unit up no higher than 45 degrees and allow water to drain out the other side of the unit.
5. Remove excess water left in the base pan by wiping the base pan with a dry cloth.
6. Remove the water-tight seal from the motor and control panel area.
7. Reinstall unit back into wall sleeve.
8. Allow unit to dry for 24 hours before reapplying power. When power is reapplied test unit for proper operation.
9. Place a non-acidic algaecide in the base pan to inhibit bacteria growth. Ensure the algaecide is compatible with wet coil operation and is not corrosive to the coil.

 CAUTION!
<p>HIGH PRESSURE AND HIGH TEMPERATURE CLEANING IS NOT RECOMMENDED. DOING SO COULD DAMAGE THE ALUMINUM FIN STOCK AND ELECTRICAL COMPONENT.</p>

Clearance Check

Clearances around the unit should also be checked to make sure that the intake air and discharge air paths have not become blocked or restricted. A minimum of eight inches clearance is needed from unit to furniture, beds, or other objects for proper operation. Restricted discharge or intake air will reduce the unit's operational performance. In severe airflow restrictions damage can occur to unit components such as the compressor, electric heater or fan motor.

NORMAL OPERATING SOUNDS AND CONDITIONS

Water trickling sounds

Water is picked up and distributed over the coil. This improves the efficiency and helps with water removal.

Water dripping

Water will collect in the base pan during high humidity days. This can cause overflow and drip from the outside of the unit.

Air sounds

The fan cycle switch sets the operational mode of the fan. In the ON position the fan will run continuously whenever power is applied in this mode. In the AUTO position, the fan will cycle on and off with the compressor or electric heater.

Starting delay

You may notice a few minutes delay in the starting if you try to restart the unit too soon after turning it off or if you adjust the thermostat right after the compressor has shut off. This is due to a built-in delay to protect the compressor.

Buzzer Response

The buzzer will chime "Di"(0.1 sec) as response when receiving the effective order from key pad control and remote control.

DIAGNOSTIC CODES

The Diagnostic Maintenance provides detailed information on PTAC control operation and operational status including present modes, failures, airflow restriction warnings, operating temperatures, and past failures.

To enter Diagnostic Status Report mode, press and hold the down arrows and, while hold press the FAN SPEED key for a period of five (5) seconds.

The meaning of figure on display pad is as below:

X.X----(0~4: time of protection)

└— is protection mode(1: anti-frost; 2: overheat; 3: high pressure; 4:anti-freezing)

Failure code	Content of defect
E2	Indoor temperature sensor failure
E3	Indoor coil temperature sensor failure
E4	Indoor air outlet over heat or sensor failure
E5	Outdoor coil temperature sensor failure
E8	Overheating protection/defrosting
E9	Refrigerant high pressure protection

TROUBLESHOOTING

POSSIBLE CAUSES	SOLUTIONS
<p>UNIT DOES NOT START</p> <ul style="list-style-type: none"> • Unit may have become unplugged • Fuse may have blown • Circuit breaker may have been tripped • Unit may be off or in wall thermostat mode. <p>Check section on dipswitch settings to verify dipswitches are set properly.</p> <ul style="list-style-type: none"> • Unit may be in a protection or diagnostic failure mode. See section on diagnostic codes. 	<ul style="list-style-type: none"> • Check that plug is plugged securely in wall receptacle. <p>Note : Plug has a test/reset button on it. Make sure that the plug has not tripped.</p> <ul style="list-style-type: none"> • Replace the fuse. • Reset circuit breaker. • Turn unit on (bottom right button on keypad).
<p>DISPLAY HAS STRANGE NUMBERS/CHARACTERS ON IT</p>	<ul style="list-style-type: none"> • The unit may be in a diagnostic condition. Check diagnostic codes --- checking Control section to determine if unit has had a failure. • The unit may be set for ° C (instead of ° F), see the SENIOR OPERATION.
<p>UNIT MAKING NOISES</p>	<ul style="list-style-type: none"> • Clicking, gurgling and whooshing noises are normal during operation of unit.
<p>UNIT NOT COOLING / HEATING ROOM</p> <ul style="list-style-type: none"> • Unit air discharge section is blocked • Temperature setting is not high or low enough <p>Note: Setpoint limits may not allow the unit to heat or cool the room to the temperature desired. Check section on dipswitch settings.</p> <ul style="list-style-type: none"> • Unit air filters are dirty. • Room is excessively hot or cold when unit is started • Vent door left open • Unit may be in a protection or diagnostic failure mode. Check section on Intelligent Self --- checking Control. • Compressor is in time delay. There is a protective time delay (approx . 3 minutes) on starting the compressor after a power outage(or restarting after it has been turned off), to prevent tripping of the compressor overload. 	<ul style="list-style-type: none"> • Make sure that curtains, blinds or furniture are not restricting or blocking unit airflow. • Reset to a lower or higher temperature setting. • Remove and clean filters. • Allow sufficient amount of time for unit to heat or cool the room. Start heating or cooling early before outdoor temperature, cooking heat or gatherings of people make room uncomfortable. • Close vent door. • Check DIP switch settings for desired comfort. • Wait approximately 3 minutes for compressor to start
<p>WATER DRIPPING OUTSIDE</p>	<ul style="list-style-type: none"> • If a drain kit has not been installed, condensation runoff during very hot and humid weather is normal. See Note 2. If a drain kit has been installed and is connected to a drain system, check gaskets and fittings around drain for leaks and plugs.
<p>WATER DRIPPING INSIDE</p> <ul style="list-style-type: none"> • Wall sleeve is not installed level 	<ul style="list-style-type: none"> • Wall sleeve must be installed level for proper drainage of condensation. Check that installation is level and make any necessary adjustments.
<p>ICE OR FROST FORMS ON INDOOR COIL</p> <ul style="list-style-type: none"> • Low outdoor temperature • Dirty filters 	<ul style="list-style-type: none"> • When outdoor temperature is approximately 55°F (12.8°C) or below, frost may form on the indoor coil when unit is in Cooling mode. Switch unit to FAN operation until ice or frost melts. • Remove and clean filters.
<p>COMPRESSOR PROTECTION</p> <ul style="list-style-type: none"> • Power may have cycled, so compressor is in a restart protection. 	<ul style="list-style-type: none"> • Random Compressor restart—Whenever the unit is plugged in, or power has been restarted, a random compressor restart will occur. After a power outage, the compressor will restart after approximately 3 minutes. • Compressor Protection — To prevent short cycling of the compressor, there is a random startup delay of 3 minutes and a minimum compressor run time of 3 minutes

**PERFECT COMFORT PACKAGED TERMINAL AIR CONDITIONER
WARRANTY FOR PRODUCTS PURCHASED AND USED
IN CANADA & USA**

SAVE THIS CERTIFICATE.

BEFORE CALLING FOR SERVICE, carefully read your instruction booklet. In the event your air conditioner requires servicing contact your nearest authorized service centre. If you do not know the nearest service centre, ask the company that you bought your air conditioner from or contact us. When requesting service, please have the model number, serial number, date of purchase and a description of the problem available. Service will be provided during normal working hours.

ESTABLISHING PROOF OF PURCHASE DATE for warranty purposes it is the customer's responsibility to provide proof of purchase; the effective date will be based upon the date of manufacture plus thirty (30) days. Retain your bill of sale as proof of purchase.

STANDARD LIMITED ONE YEAR WARRANTY

We will supply a replacement for any component part(s) found to be defective in materials or workmanship. Any replacement part(s) so supplied will be warranted for the balance of our product's warranty. We will pay for labour costs for such repair work at our established labour rates. See labour warranty sheet and rates for labour allowance. No payments will be made without a Perfect Comfort approval number. All approval numbers are issued prior to doing any warranty work.

EXTENDED PARTS WARRANTY

In the second through fifth year of warranty from the date of original purchase, if the compressor is found to be defective, we will supply a replacement part only. All replacement compressors assume the unused portion of the original warranty.

USER WILL PAY FOR SERVICE CALLS TO:

- Instruct the user on how to use the air conditioner.
- Replace house fuses, reset circuit breakers or correct house wiring.
- Clean or replace air filters.
- Correct improper installations.
- All expenses where the air conditioner is subjected to improper installation, inadequate maintenance, abuse or misuse, neglect, accident, fire, flood, or incorrect power source.
- The removal and reinstallation of the air conditioner if it is installed in an overhead or other inaccessible location.
- Shipping charges to deliver the air conditioner to an authorized service depot and return to installation.
- All labour and service call charges incurred after the Standard Limited One Year Warranty has expired, including diagnosis of the problem to accomplish repair.
- Cost of replacement refrigerant and all other charges incurred after the Standard Limited One Year Warranty has expired.

Service must be provided by a PERFECT COMFORT authorized service depot. All service calls and labour charges will be at our rate in effect at the time of the service.

This warranty applies only while the air conditioner remains at the original site and only to air conditioners installed in Canada & USA. PERFECT COMFORT shall not be liable for any indirect, incidental, consequential, or special damages in connection with any use or failure of this air conditioner. No one is authorized to change this warranty or to create for us on our behalf any other obligation or liability in connection with our product(s). There is no other warranty or condition in any respect, expressed or implied, made by or binding upon us other than the above or as provided by provincial law and which cannot be limited or excluded by such law.

PERFECT COMFORT

Canada & USA 1-866-233-4022

www.perfectcomfort.ca

Your PTAC Supplier!