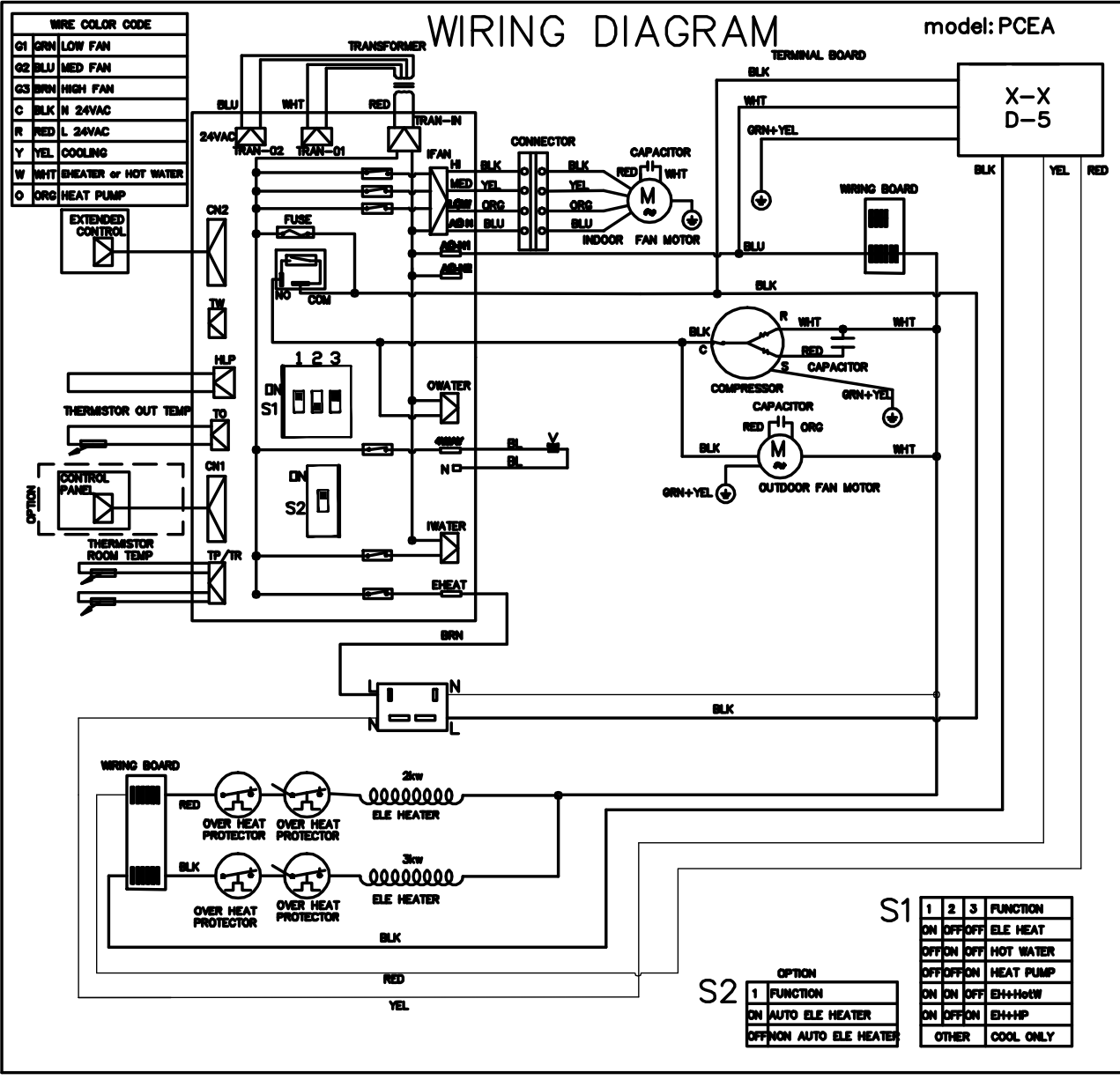
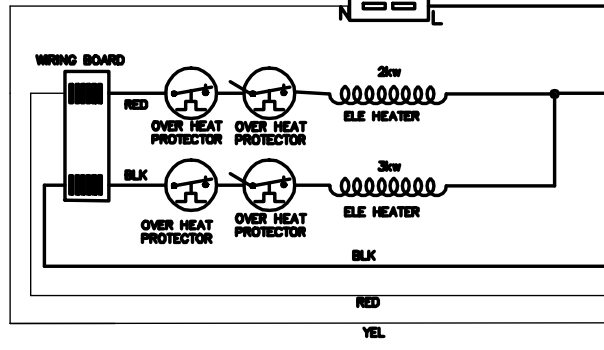
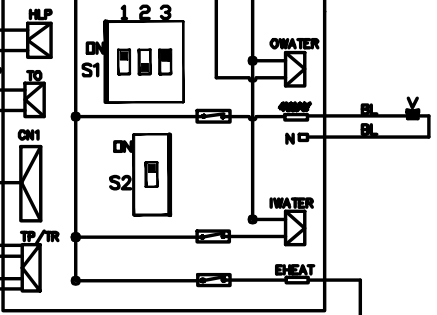
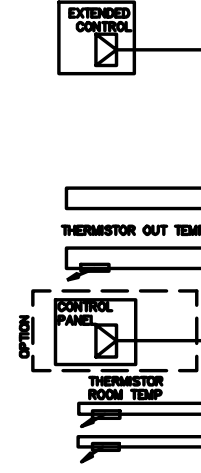


WIRING DIAGRAM

model: PCEA



WIRE COLOR CODE	
G1	GRN LOW FAN
G2	BLU MED FAN
G3	BRN HIGH FAN
C	BLK N 24VAC
R	RED L 24VAC
Y	YEL COOLING
W	WHT HEATER or HOT WATER
O	ORG HEAT PUMP



S1

1	2	3	FUNCTION
ON	OFF	OFF	ELE HEAT
OFF	ON	OFF	HOT WATER
OFF	OFF	ON	HEAT PUMP
ON	ON	OFF	EH+HW
ON	OFF	ON	EH+HP
OTHER	OTHER	OTHER	COOL ONLY

S2

1	FUNCTION
ON	AUTO ELE HEATER
OFF	NON AUTO ELE HEATER