

Spec Sheet

Genuine Comfort 42" Prestige Series Standard PTAC/PTHP

Unit Size: 42"W x 16"H Wall Sleeve

FEATURES

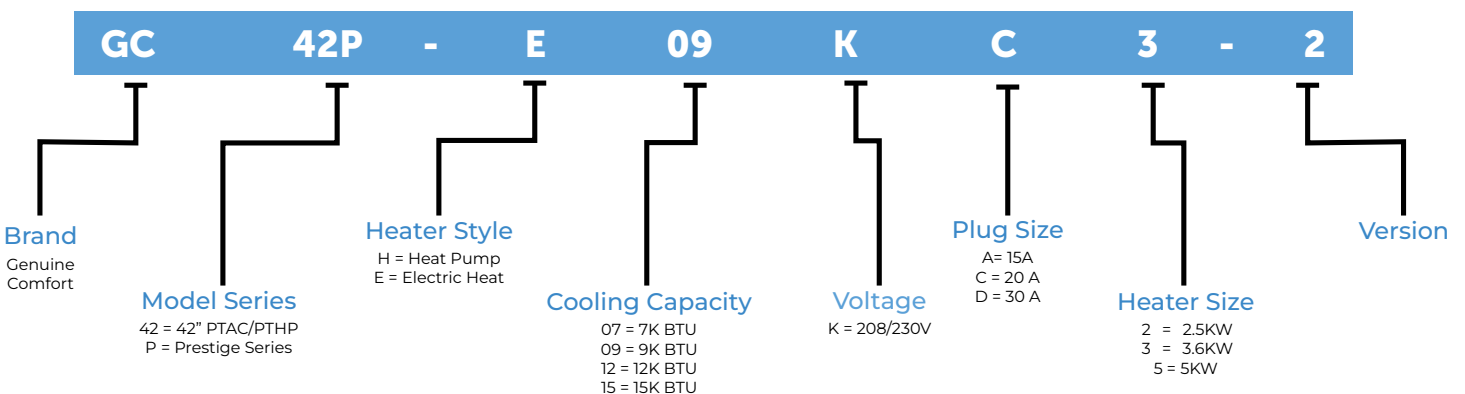
- Digital controls
- Slide-Out Washable & Easy-Clean Filter
- Error Code Display For Easy Diagnostic
- Hand Held Remote Control (Not Included)
- 2 Indoor Fan Speeds
- Dual Motors for Quiet & Efficient Operation
- 24 Volt Wall Thermostat Control Option
- Compressor Time Delay Protection and Efficiency
- R32 Refrigerant
- Automated Room Freeze Protection (10C/50F)
- Genuine Care Warranty: 1 Year Unit Replacement (if parts and labour is not available), 6 Year Parts Replacement



Heat Pump Model Only

MODEL IDENTIFICATION

Example: GC42P-E09KC3-2



ACCESSORIES

*SOLD SEPARATELY



HAND HELD
REMOTE CONTROLLER



WALL SLEEVE



STAMPED GRILLE



ARCHITECTURAL
GRILLE



WIRELESS + WIRED
THERMOSTAT



OCCUPANCY
SENSOR THERMOSTAT



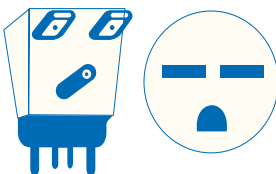
EMS THERMOSTAT



SUB-BASE

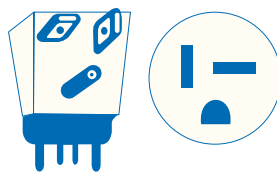
PLUG TYPE

TANDEM



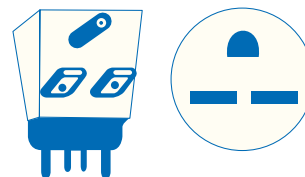
208V/230V 15A

PERPENDICULAR



208V/230V 20A

LARGE TANDEM



208V/230V 30A

SPECIFICATIONS (ELECTRIC HEAT)

Model ID			GC42P-E07K_ _	GC42P-E09K_ _	GC42P-E12K_ _	GC42P-E15K_ _
Power Supply	Voltage (1 Ph., 60Hz)	V	208/230V	208/230V	208/230V	208/230V
	Capacity	Btu/h	7000/7200	9100/9300	11800/12000	14300/14500
Cooling	Input	A	580/600	785/800	1090/1110	1430/1450
		EER	12.0/12.0	11.6/11.6	10.8/10.8	10.0/10.0
Indoor Air Flow (L/M/H)		CFM	365 / 424	365 / 412	412 / 471	412 / 471
Outdoor Fresh Air		CFM	45	45	45	45
Indoor Sound Level (L/M/H)		dB(a)	38 / 47	38 / 47	46 / 52	48 / 52
Outdoor Sound Level (L/M/H)		dB(a)	66	66	66	66
Unit Dimensions (W x D x H)		inch	42 x 21 x 16	42 x 21 x 16	42 x 21 x 16	42 x 21 x 16
Package Dimension (W x D x H)		inch	45 x 25 x 19	45 x 25 x 19	45 x 25 x 19	45 x 25 x 19
Net/Gross Weight		lbs.	91/102	93/105	106/117	107/118
Refrigerant Type			R32	R32	R32	R32
Operation Temperature (Indoor)		C	16 - 32	16 - 32	16 - 32	16 - 32
		F	61 - 90	61 - 90	61 - 90	61 - 90
Ambient Temperature (Outdoor)		C	12 - 48	12 - 48	12 - 48	12 - 48
		F	53.6 - 118	53.6 - 118	53.6 - 118	53.6 - 118

SPECIFICATIONS (HEAT PUMP)

Model ID			GC42P-H07K_ _	GC42P-H09K_ _	GC42P-H12K_ _	GC42P-H15K_ _
Power Supply	Voltage (1 Ph., 60Hz)	V	208/230V	208/230V	208/230V	208/230V
	Capacity	Btu/h	6800/7200	9000/9200	11800/12000	14300/14500
Cooling	Input	A	570/605	790/805	1110/1130	1430/1450
		EER	11.9/11.9	11.4/11.4	10.6/10.6	10.0/10.0
	Capacity	Btu/h	5800/6000	7800/8000	10200/10400	13200/13600
Heating	Input	A	485/500	670/690	880/895	1210/1245
		COP	3.5/3.5	3.4/3.4	3.4/3.4	3.2/3.2
Indoor Air Flow (L/M/H)		CFM	365 / 424	365 / 412	412 / 471	412 / 471
Outdoor Fresh Air		CFM	45	45	55	55
Indoor Sound Level (L/M/H)		dB(a)	38 / 47	38 / 47	46 / 52	48 / 52
Outdoor Sound Level (L/M/H)		dB(a)	66	66	66	66
Unit Dimensions (W x D x H)		inch	42 x 21 x 16	42 x 21 x 16	42 x 21 x 16	42 x 21 x 16
Package Dimension (W x D x H)		inch	45 x 25 x 19	45 x 25 x 19	45 x 25 x 19	45 x 25 x 19
Net/Gross Weight		lbs.	93/104	95/106	107/118	108/119
Refrigerant Type			R32	R32	R32	R32
Operation Temperature (Indoor)		C	16 - 32	16 - 32	16 - 32	16 - 32
		F	61 - 90	61 - 90	61 - 90	61 - 90
Ambient Temperature (Outdoor)		C (Cooling)	12 - 48	12 - 48	12 - 46.1	12 - 46.1
		F (Cooling)	53.6 - 118	53.6 - 118	53.6 - 115	53.6 - 115
		C (Heating)	5 - 27	5 - 27	5 - 27	5 - 27
		F (Heating)	41 - 80.6	41 - 80.6	41 - 80.6	41 - 80.6

SPECIFICATIONS (ELECTRIC HEATER SIZES)

Model ID		A2	C3	D5	
Electric Heating	Electric Heater Size	KW	2.5KW	3.6KW	5.0KW
	Capacity	Btu/h	8500/6900	12000/10000	17000/13900
	Input	A	2550/2090	3650/2990	5050/4135
	Rated Current	AMPS	11.1/10.0	15.9/14.3	21.9/19.8
Max Input Consumption	A	2565	3665	5065	
Max Current	A	11.3	16.1	22.1	
Compatible Capacity		7 / 9 / 12 / 15K		12 / 15K	
Cord Type		LCDI-15A	LCDI-20A	LCDI-30A	
Cord Length	Ft.	6.89	6.89	7	