

# Spec Sheet

## Genuine Comfort Through-The-Wall Air Conditioner

Fits TTW Sleeves Between 25-1/2" to 27" Wide

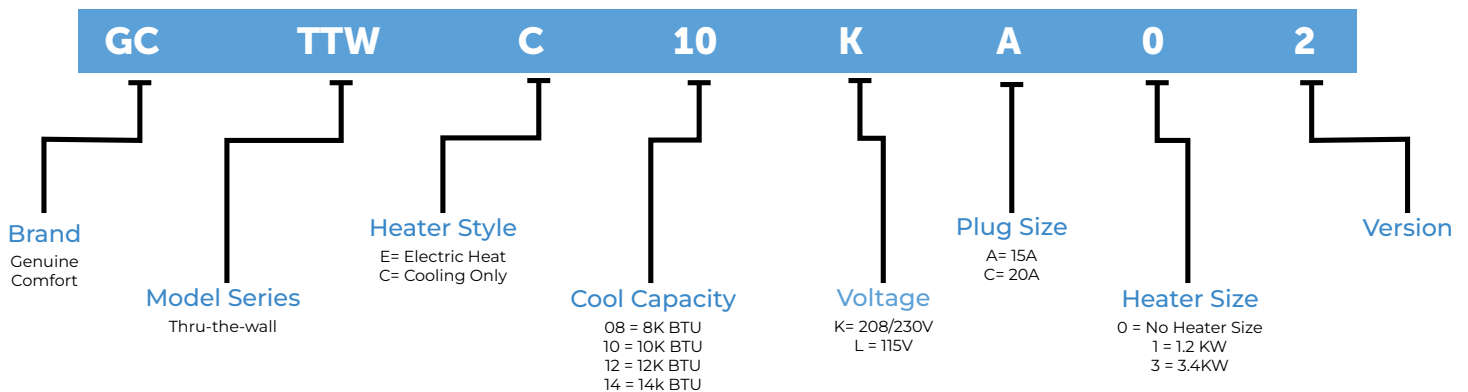
### FEATURES

- Digital controls
- Dehumidify Mode
- Energy Saver & Sleep Mode
- 24-Hour Programmable Timer
- Adjustable Air Louvres
- Three Indoor Fan Speeds
- Slide-Out Washable & Easy-Clean Filter
- Hand Held Remote Control (Included)
- Error Code Display For Easy Diagnostic
- Universal Thru-The-Wall Install Kit
- Genuine Care Warranty: 1-Year Unit Replacement

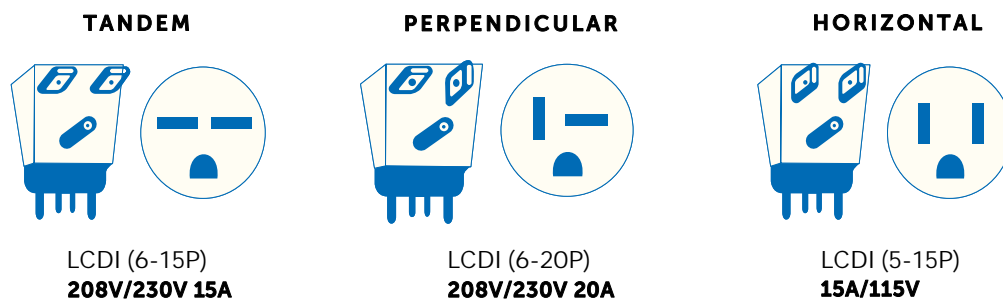


### MODEL IDENTIFICATION

Example: **GCTTW-C10KA0-2**



### PLUG TYPE



## SPECIFICATIONS (COOLING W/ ELECTRIC HEAT)

Model ID	GCTTWE08LA1-2		GCTTWE10KC3-2		GCTTWE12KC3-2	
Power Supply	Voltage (1 Ph., 60Hz)	V	115	208/230	208 / 230	
	Capacity		8,000	9,800/10,000	11,700/ 12,000	
Cooling	Input	A	7506.5	980/1000	1,160 / 1,180	
	EER		10.7	10	10.5	
	Capacity (BTU/H)		4,200	8,600/10,600	8,600 / 10,600	
Electric Heater	Amps	A	11	14/15	14 /15	
	Max Current	A	11	15	15	
Indoor Sound Level (L/M/H)	dB(a)		52 / 55.4 / 58.7	58 / 60.3 / 62.2	58 / 60 / 61.8	
Ambient Temp (Out-door)	Cooling	C°	18 - 43	18 - 43	18 - 43	
Unit Dimensions (W x D x H)	inch		24.21 * 20.28 * 14.53	24.21 * 20.28 * 14.53	24.21 * 20.28 * 14.53	
Net Weight / Gross Weight	lbs		67 / 77	68 / 78	75 / 86	
Cord Type			LCDI(5-15P)	LCDI(6-20P)	LCDI(6-20P)	
Cord Length	Ft		5.6	5.6	5.6	

## SPECIFICATIONS (COOLING ONLY)

Model	GCTTWC10LA0-2		GCTTWC12LA0-2	
Power Supply	Voltage (1 Ph., 60Hz)	V	115	115
	Capacity	Btu/h	10,000	12,000
Cooling	Input	A	930	1,140
	EER		10.6	10.5
	Max Input Consumption	W	1,290	1,420
Max Current	A	12.9	14	
Indoor Air Flow (L/M/H)	CFM		191 / 220 / 256	220 / 250 / 276
Indoor Sound Level (L/M/H)	dB(a)		50.2 / 52.8 / 55.8	55.3 / 56.8 / 59
Outdoor Noise Level	dB (a)		64.3	68.7
Ambient Temp (Outdoor)	Cooling	C°	18 - 43	18 - 43
	Cooling	F°	64 - 109	64 - 109
Unit Dimensions (W x D x H)	inch		24.21 * 20.28 * 14.53	24.21 * 20.28 * 14.53
Package Dimensions (W x D x H)	inch		27.95 * 26.57 * 16.93	27.95 * 26.57 * 16.93
Net Weight / Gross Weight	lbs		67 / 79	75 / 88
Refrigerant Type			R32	R32
Cord Type			LCDI(5-15P)	LCDI(5-15P)
Cord Length	Ft		7.02	7.02

**SPECIFICATIONS (COOLING ONLY) (CONTINUED)**

Model			GCTTWC10KA0-2	GCTTWC12KA0-2	GCTTWC14KA0-2
Power Supply	Voltage (1 Ph., 60Hz)	V	208/230	208 / 230	208 / 230
		Btu/h			
Cooling	Input	A	940/970	1,110 / 1,140	1,360 / 1,400
		EER			9.5
Max Input Consumption		W	1,235	1,472	1,818
		A			
Indoor Air Flow (L/M/H)		CFM	248 / 272 / 291	273 / 259 / 274	254 / 264 / 280
Outdoor Noise Level		dB (a)	68.5	68.3	69.9
			18 - 43	18 - 43	18 - 43
Ambient Temp (Outdoor)					
	Cooling	F°	64 - 109	64 - 109	64 - 109
Unit Dimensions (W x D x H)		inch	24.21 * 20.28 * 14.53	24.21 * 20.28 * 14.53	24.21 * 20.28 * 14.53
Package Dimensions (W x D x H)		inch	27.95 * 26.57 * 16.93	27.95 * 26.57 * 16.93	27.95 * 26.57 * 16.93
Net Weight / Gross Weight		lbs	68 / 80	74 / 87	75 / 88
Refrigerant Type			R32	R32	R32
Cord Type			LCDI(6-15P)	LCDI(6-15P)	LCDI(6-15P)
Cord Length		Ft	6.5	6.5	6.5