

# Spec Sheet

## Genuine Comfort Vertical Terminal Heat Pump

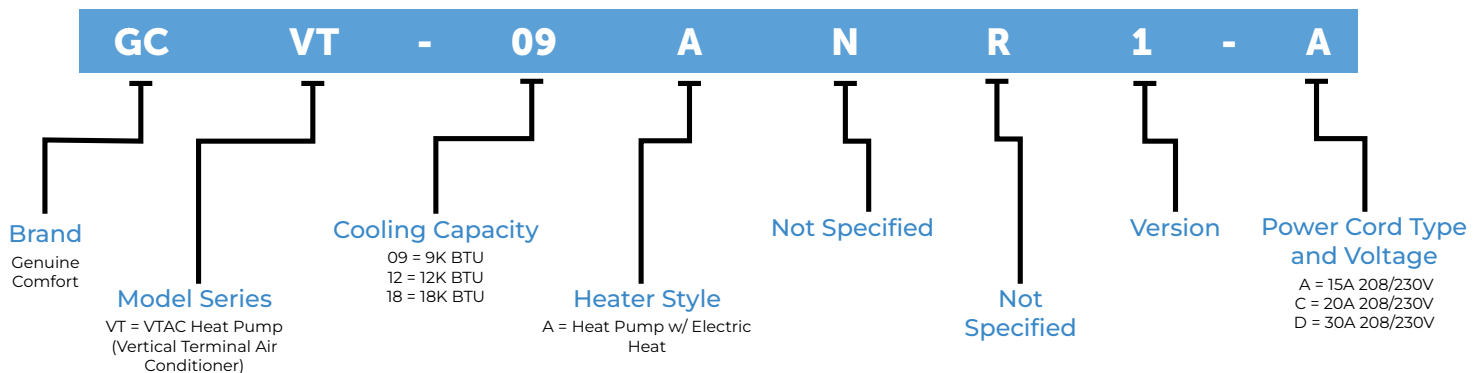
### FEATURES

- "Ductable" to Multiple Rooms
- Two Indoor Fan Speeds
- Easily Reachable Disconnect Switch
- Error Code Display For Easy Diagnostic
- Dual Motors for Quiet & Efficient Operation
- 24 Volt Wall Thermostat Control Option
- Compressor Time Delay Protection and Efficiency
- R410a Refrigerant
- Automated Room Freeze Protection (10C/50F)
- Genuine Care Warranty: 1 Year Unit Replacement (if parts and labour is not available), 6 Year Parts Replacement



### MODEL IDENTIFICATION

Example: **GCVT-09ANR1-A**



## ACCESSORIES



PLENUM  
EXTENSION



BASE

ARCHITECTURAL  
GRILLE

INT. FRONT  
PANEL



WIRELESS + WIRED  
THERMOSTAT



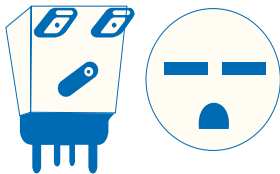
OCCUPANCY SENSOR  
THERMOSTAT



EMS THERMOSTAT

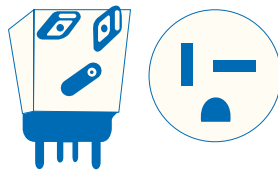
## PLUG TYPE

### TANDEM



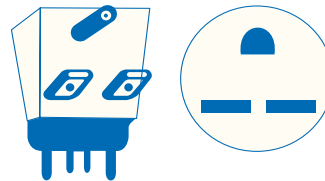
208V/230V 15A

### PERPENDICULAR



208V/230V 20A

### LARGE TANDEM



208V/230V 30A

## SPECIFICATIONS (HEAT PUMP W/ ELECTRIC HEAT)

Model ID			GCVT-09ANR1-A	GCVT-09ANR1-C	GCVT-09ANR1-D
Power Supply	Voltage (1 Ph., 60Hz)	V	230/208V	230/208V	230/208V
	Capacity	Btu/h	9300/9100	9300/9100	9300/9100
Cooling	Input	A	770/750	770/750	770/750
		EER	12.1/12.1	12.1/12.1	12.1/12.1
	Capacity	Btu/h	8500/8300	8500/8300	8500/8300
Heating	Input	A	710/685	710/685	710/685
		COP	3.5/3.5	3.5/3.5	3.5/3.5
	Capacity	Btu/h	8500/6900	12200/10000	17000/13900
Electric Heater	Input	A	2550/2090	3650/2990	5050/4135
		COP	11.1/10.0	15.9/14.3	21.9/19.8
Max Input Consumption		A	2550	3650	5050
Max Current		A	11.1	15.90	21.9
Indoor Air Flow (L/M/H)		CFM	259/353	259/353	259/353
Indoor Sound Level (L/M/H)		dB(a)	55/60	55/60	55/60
Outdoor Sound Level (L/M/H)		dB(a)	65	65	65
Unit Dimensions (W x D x H)		inch	23-1/8 x 31-1/4 x 23-1/8	23-1/8 x 31-1/4 x 23-1/8	23-1/8 x 31-1/4 x 23-1/8
Package Dimension (W x D x H)		inch	27-3/4 x 37-1/5 x 27-3/4	27-3/4 x 37-1/5 x 27-3/4	27-3/4 x 37-1/5 x 27-3/4
Net/Gross Weight		lbs.	168/185	168/185	168/185
Refrigerant Type			R410A	R410A	R410A
Operation Temperature (Indoor)		C	16 - 32	16 - 32	16 - 32
		F	61 - 90	61 - 90	61 - 90
Ambient Temperature (Outdoor)		C (Cooling)	12 - 48	12-48	12-48
		F (Cooling)	53.6 - 118	53.6-118	53.6-118
		C (Heating)	5 - 27	5 - 27	5 - 27
		F (Heating)	41 - 80.6	41 - 80.6	41 - 80.6
Cord Type			LCDI-15A	LCDI-20A	LCDI-30A
Cord Length		Ft	6.5	6.5	6.5

**SPECIFICATIONS (HEAT PUMP W/ ELECTRIC HEAT) (CONTINUED)**

Model ID			GCVT-12ANR1-A	GCVT-12ANR1-C	GCVT-12ANR1-D
Power Supply	Voltage (1 Ph., 60Hz)	V	230/208V	230/208V	230/208V
	Capacity	Btu/h	11500/11500	11500/11500	9300/9100
Cooling	Input	A	990/990	990/990	990/990
		EER	11.6/11.6	11.6/11.6	11.6/11.6
	Capacity	Btu/h	10500/10300	10500/10300	10500/10300
Heating	Input	A	880/860	880/860	880/860
		COP	3.5/3.5	3.5/3.5	3.5/3.5
	Capacity	Btu/h	8500/6900	12200/10000	17000/13900
Electric Heater	Input	A	2550/2090	3650/2990	5050/4135
		COP	11.1/10.0	15.9/14.3	21.9/19.8
Max Input Consumption		A	2550	3650	5050
Max Current		A	11.1	15.90	21.9
Indoor Air Flow (L/M/H)		CFM	350/430	350/430	350/430
Indoor Sound Level (L/M/H)		dB(a)	57/60	57/60	57/60
Outdoor Sound Level (L/M/H)		dB(a)	67	67	67
Unit Dimensions (W x D x H)		inch	23-1/8 x 31-1/4 x 23-1/8	23-1/8 x 31-1/4 x 23-1/8	23-1/8 x 31-1/4 x 23-1/8
Package Dimension (W x D x H)		inch	27-3/4 x 37-1/5 x 27-3/4	27-3/4 x 37-1/5 x 27-3/4	27-3/4 x 37-1/5 x 27-3/4
Net/Gross Weight		lbs.	174/192	174/192	174/192
Refrigerant Type			R410A	R410A	R410A
Operation Temperature (Indoor)		C	16 - 32	16 - 32	16 - 32
		F	61 - 90	61 - 90	61 - 90
Ambient Temperature (Outdoor)		C (Cooling)	12 - 48	12-48	12-48
		F (Cooling)	53.6 - 118	53.6-118	53.6-118
		C (Heating)	5 - 27	5 - 27	5 - 27
		F (Heating)	41 - 80.6	41 - 80.6	41 - 80.6
Cord Type			LCDI-15A	LCDI-20A	LCDI-30A
Cord Length		Ft	6.5	6.5	6.5

## SPECIFICATIONS (HEAT PUMP W/ ELECTRIC HEAT) (CONTINUED)

Model ID			GCVT-18ANR1-C	GCVT-18ANR1-D
Power Supply	Voltage (1 Ph., 60Hz)	V	230/208V	230/208V
	Capacity	Btu/h	16200/16200	16200/16200
Cooling	Input	A	1475/1475	1475/1475
		EER	11.0/11.0	11.0/11.0
	Capacity	Btu/h	14500/14500	14500/14500
Heating	Input	A	1285/1285	1285/1285
		COP	3.3/3.3	3.3/3.3
	Capacity	Btu/h	12200/10000	17000/13900
Electric Heater	Input	A	3650/2990	5050/4135
		COP	15.9/14.3	21.9/19.8
Max Input Consumption		A	3650	5050
Max Current		A	15.90	21.9
Indoor Air Flow (L/M/H)		CFM	353/436	353/436
Indoor Sound Level (L/M/H)		dB(a)	57/61	57/61
Outdoor Sound Level (L/M/H)		dB(a)	67	67
Unit Dimensions (W x D x H)		inch	23-1/8 x 31-1/4 x 23-1/8	23-1/8 x 31-1/4 x 23-1/8
Package Dimension (W x D x H)		inch	27-3/4 x 37-1/5 x 27-3/4	27-3/4 x 37-1/5 x 27-3/4
Net/Gross Weight		lbs.	184/202	184/202
Refrigerant Type			R410A	R410A
Operation Temperature (Indoor)		C	16 - 32	16 - 32
		F	61 - 90	61 - 90
		C (Cooling)	12 - 48	12-48
Ambient Temperature (Outdoor)		F (Cooling)	53.6 - 118	53.6-118
		C (Heating)	5 - 27	5 - 27
		F (Heating)	41 - 80.6	41 - 80.6
Cord Type			LCDI-20A	LCDI-30A
Cord Length		Ft	6.5	6.5