

Installation Instructions for Wall Sleeve Drain Kit

1. IMPORTANT

This drain kit can be used for either internal or external drains.

Below, a brief outline is given of where and how to use the drain kit. Be sure to read these instructions before installation.

CAUTION:

- Attach drain kit before mounting wall sleeve to the wall and before installing the rear grill.
- Do not allow the drain tube to run upward beyond the horizontal plane.
- Make sure no traps form along the tube

2. HOW TO INSTALL THE DRAIN KIT

External Drain

1. Position the Gasket (A) (predrilled $\frac{3}{8}$ " holes) to the Mounting Plate (B) (predrilled $\frac{35}{64}$ " holes) so that the screw holes are aligned. Insert the $\frac{1}{2}$ " OD Drain Tube (C) from the gasket side and pass it through the gasket and mounting plate. See Fig. 1

2. Attach the assembly with 2 screws to either the right or left flange at the rear of the sleeve. (Fig. 2) Wall sleeve with $\frac{1}{2}$ " drain tube should be mounted so that the tube protrudes outside from the wall surface by $\frac{1}{4}$ ".

3. Attach gasket without drain holes to the back side of the mounting plate without drain holes, then install the 2 screws so that the holes in the rear flange of the sleeve are completely sealed.

4. Attach commercial tube or hose to the tip of the $\frac{1}{2}$ " OD drain tube as necessary. Please note the following precautions while performing this task:

- Do not apply force to the drain kit.
- Make sure that no traps can form in the tube and that the tube itself does not become deformed.
- Tighten the screws of the mounting plates firmly so there is no slack.

NOTE:

- In the case of external drain, one set of gasket and mounting plate without drain holes is not used.
- After completing installation, always check to be sure water drains properly and that there are no leaks from blocked-up points.

Fig. 1

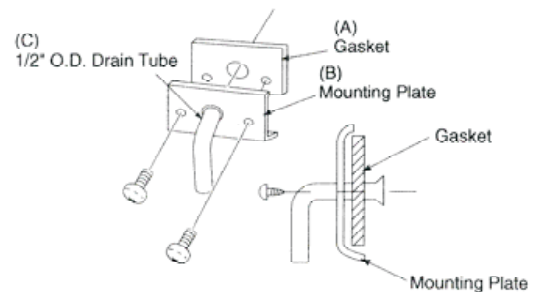
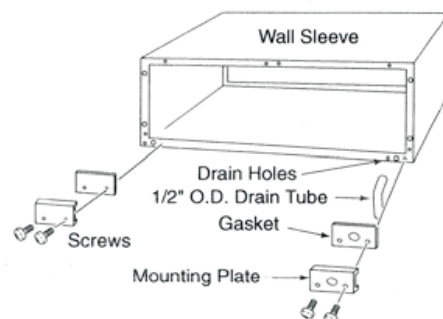


Fig. 2



Installation Instructions for Wall Sleeve Drain Kit

Internal Drain

1. At the bottom of the wall sleeve, drill 3 holes of the size of the template in Fig. 3. When using subbase, drill the holes at least 5 1/2" from the front of the edge of the wall sleeve.
2. Attach the 2 sets of gasket and mounting plate to the rear side of the sleeve with screws as shown in Fig. 4, then block up the drain holes.
3. Position Gasket (A) (predrilled 1/2" holes) to Mounting Plate (B) (predrilled 1/2" holes) so that screw holes are aligned. Insert the 1/2" OD drain tube from gasket side and pass it through gasket and mounting plate. (See Fig. 5) Attach drain kit assembly to the bottom of the wall sleeve from the rear. Use only prescribed screws.
4. Apply a waterproof sealant to the holes at the bottom the wall sleeve and to drain kit installation points. Be especially careful not to block up the drain holes with sealant when applying it. Also, when holes have been drilled into the packing at the bottom of the wall sleeve, be sure to cut some of the packing so that water can be drained.
5. Be sure the note the following precautions when attaching other tubing or hose to the tip of the drain tube and connecting to building pipes.
 - Do not apply force to drain kit.
 - Make sure that no traps can form in the tube and that the tube itself does not become deformed.
 - Tighten the screws of the mounting plates firmly so there is no slack.

NOTE:

After completing installation, always check to be sure water drains properly and that there are no leaks from the blocked-up points.

Fig.3

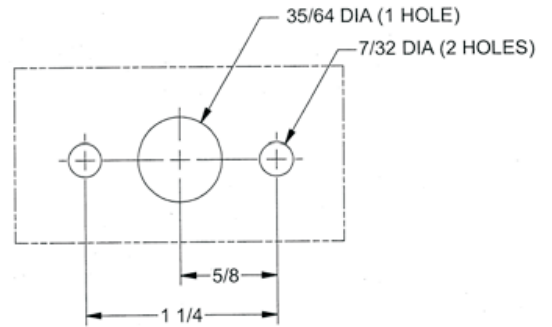


Fig. 4

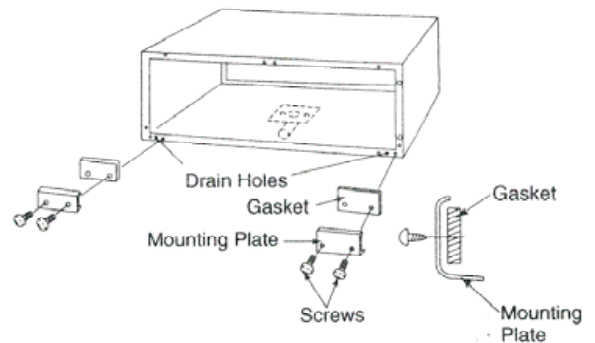


Fig. 5

