

Spec Sheet

Genuine Comfort Portable Air Conditioner

FEATURES

- Digital controls
- Hand Held Remote Control (Included)
- Dehumidify Mode
- Slide-Out Washable & Easy-Clean Filter
- Adjustable Air Louvres
- 3 Fan Speeds (12k and 14k model)
- 2 Fan Speeds (10k model)
- Energy Saver Mode
- Single Pipe Setup
- Self-Evaporating System
- R32 Refrigerant
- Window Exhaust Kit Included
- Genuine Care Warranty: 1-Year Unit Replacement



GCPAC-10CPA

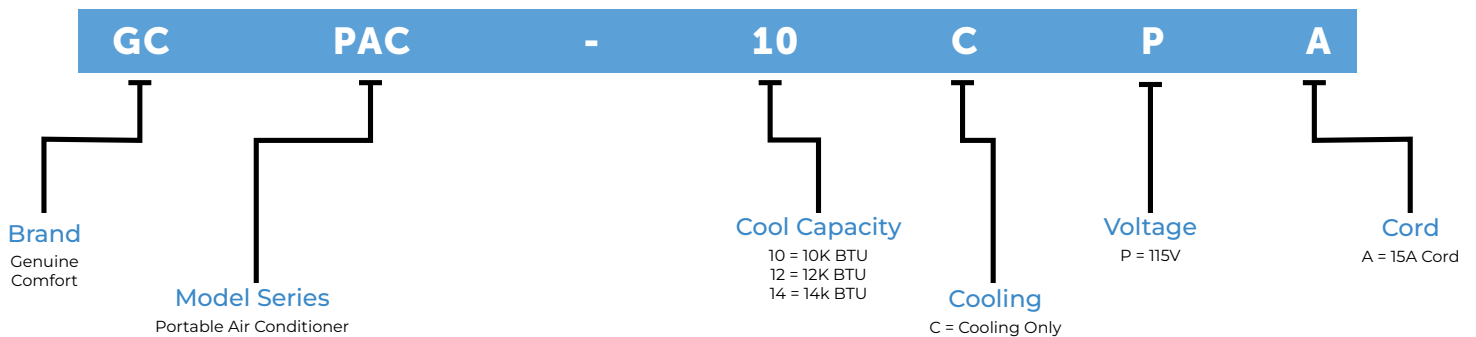
GCPAC-12CPA

GCPAC-14CPA

MODEL IDENTIFICATION

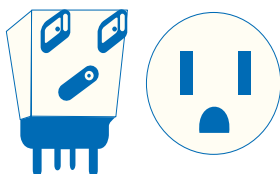


Example: GCPAC-10CPA



PLUG TYPE

HORIZONTAL



115V 15A

SPECIFICATIONS (COOLING ONLY)

Model ID			GCPAC-10CPA	GCPAC-12CPA	GCPAC-14CPA
Power Supply	Voltage (1 Ph., 60Hz)	V	115	115	115
	Capacity	BTU/H	10,000	12,000	13,500
Cooling	Input	W	1045	1330	1365
		EER	9.55	9.0	9.89
Max Input Consumption		W	1250	1260	1530
Max Current		A	11.5	11.5	11.9
Indoor Air Flow (L/M/H)		CFM	147 / N/A / 177	202 / 217 / 246	261 / 291 / 317
Indoor Sound Level (L/M/H)		dB(a)	51 / N/A / 58.7	52 / 53 / 54	53 / 54 / 57
Unit Dimensions (W x D x H)		inch	14 x 13.58 x 27.68	17.87 x 14.37 x 27.56	18.39 x 15.63 x 30.12
Package Dimension (W x D x H)		inch	15.75 x 15 x 34.25	19.29 x 16 x 34.25	20.16 x 17.4 x 34.65
Net/Gross Weight		lbs.	53 / 62	62 / 73	77 / 88
Refrigerant Type			R32	R32	R32
Operation Temperature (Indoor)		C	17 - 35	17 - 35	17 - 35
		F	63 - 95	63 - 95	63 - 95
Ambient Temperature (Outdoor)		C	18 / 43	/	/
		F	64 - 109	/	/
Cord Type			LCDI(5-15P)	LCDI(5-15P)	LCDI(5-15P)
Cord Length		Ft.	6.23	6.23	6.23
Flexible air exhaust hose length		Ft.	4.92	4.92	4.92