

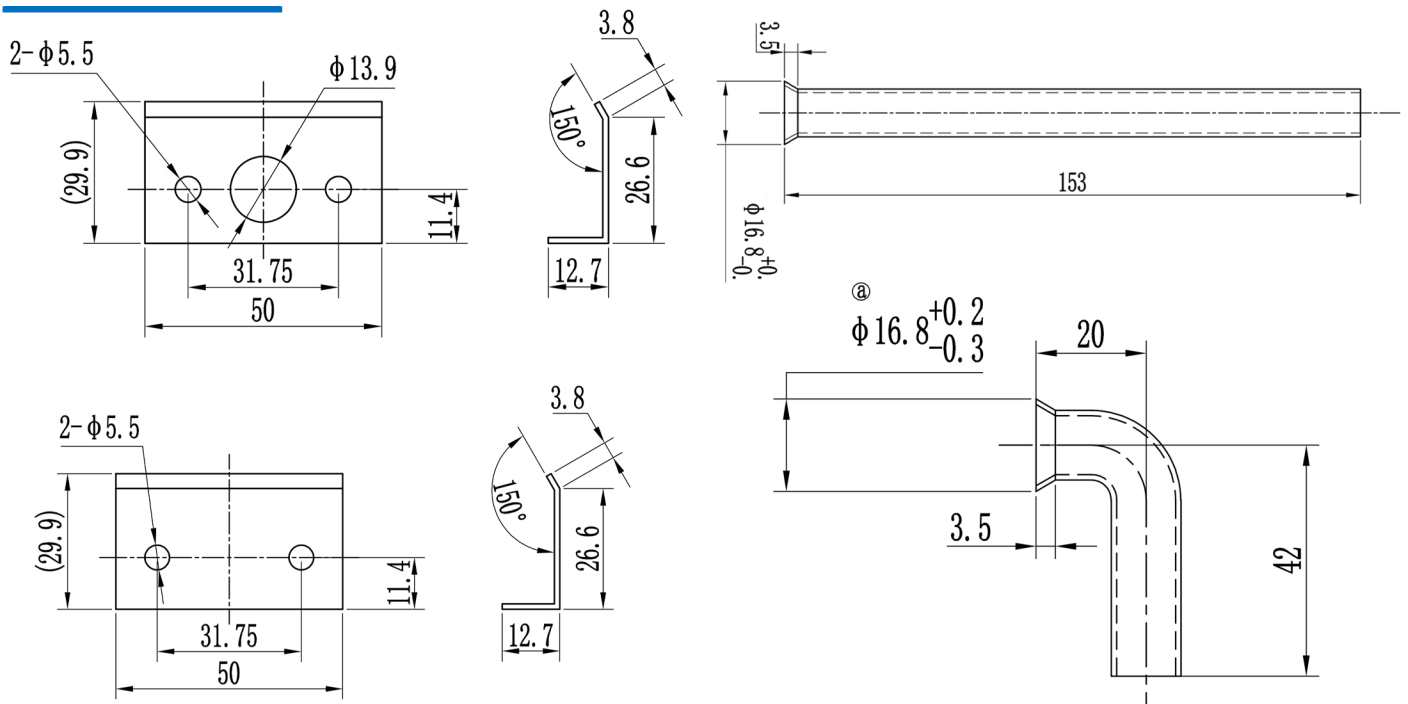
GENUINE COMFORT

DELIVERING COMFORT CONSISTENTLY

Genuine Comfort Submittal Sheet

| | | | |
|------------|--|-----------------|--|
| Job Name: | | Engineer: | |
| Purchaser: | | Architect: | |
| Unit No.: | | Contractor: | |
| Schedule: | | Submitted to: | |
| Location: | | Submitted by: | |
| Comment: | | Date Submitted: | |

Model: GCNTW01DK-C



| Part name | Material | Type of paint and color | QTY |
|--------------------------|------------------------------|-------------------------|-----|
| Nozzle plate accessory 2 | Material | Camel Grey W2901 | 2 |
| Nozzle plate accessory 1 | Non passive galvanized sheet | Camel Grey W2901 | 1 |
| Elbow outlet pipe | T2-M red copper | Red | 1 |
| Straight outlet pipe | T2-M red copper | Red | 1 |
| Intallation manual | | | 1 |