

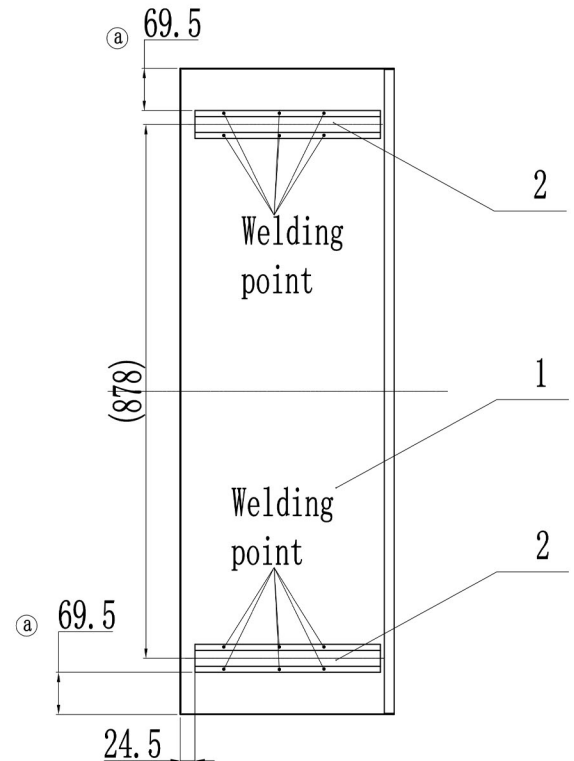
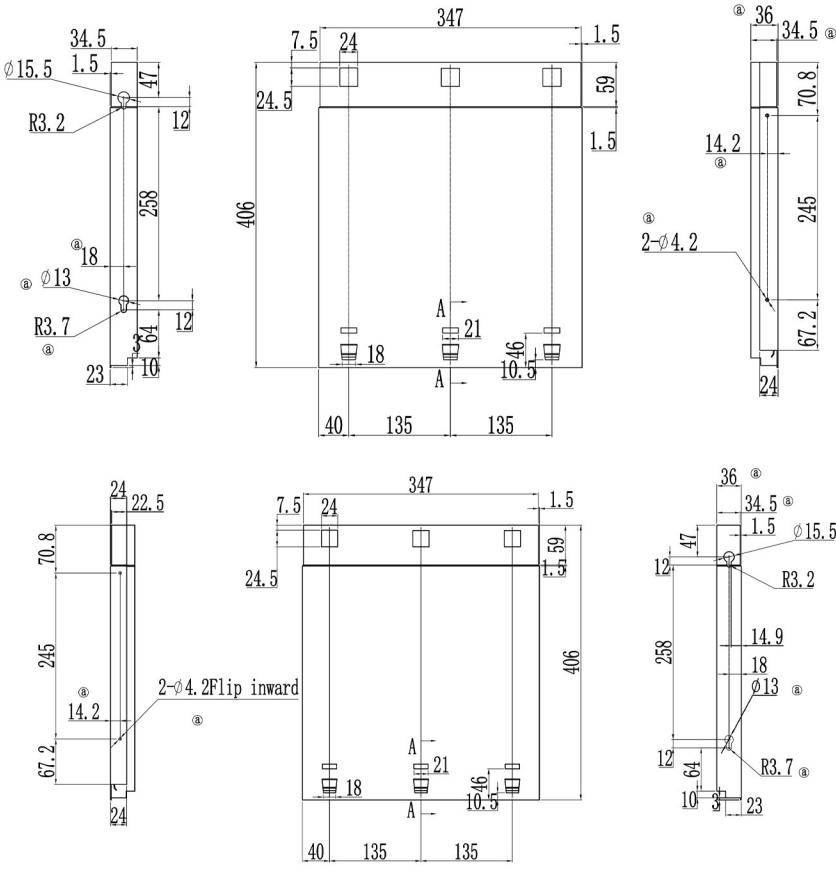
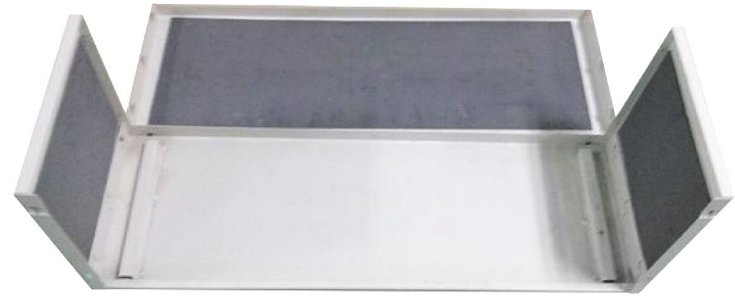
# GENUINE COMFORT

DELIVERING COMFORT CONSISTENTLY

## Genuine Comfort Submittal Sheet

Job Name:		Engineer:	
Purchaser:		Architect:	
Unit No.:		Contractor:	
Schedule:		Submitted to:	
Location:		Submitted by:	
Comment:		Date Submitted:	

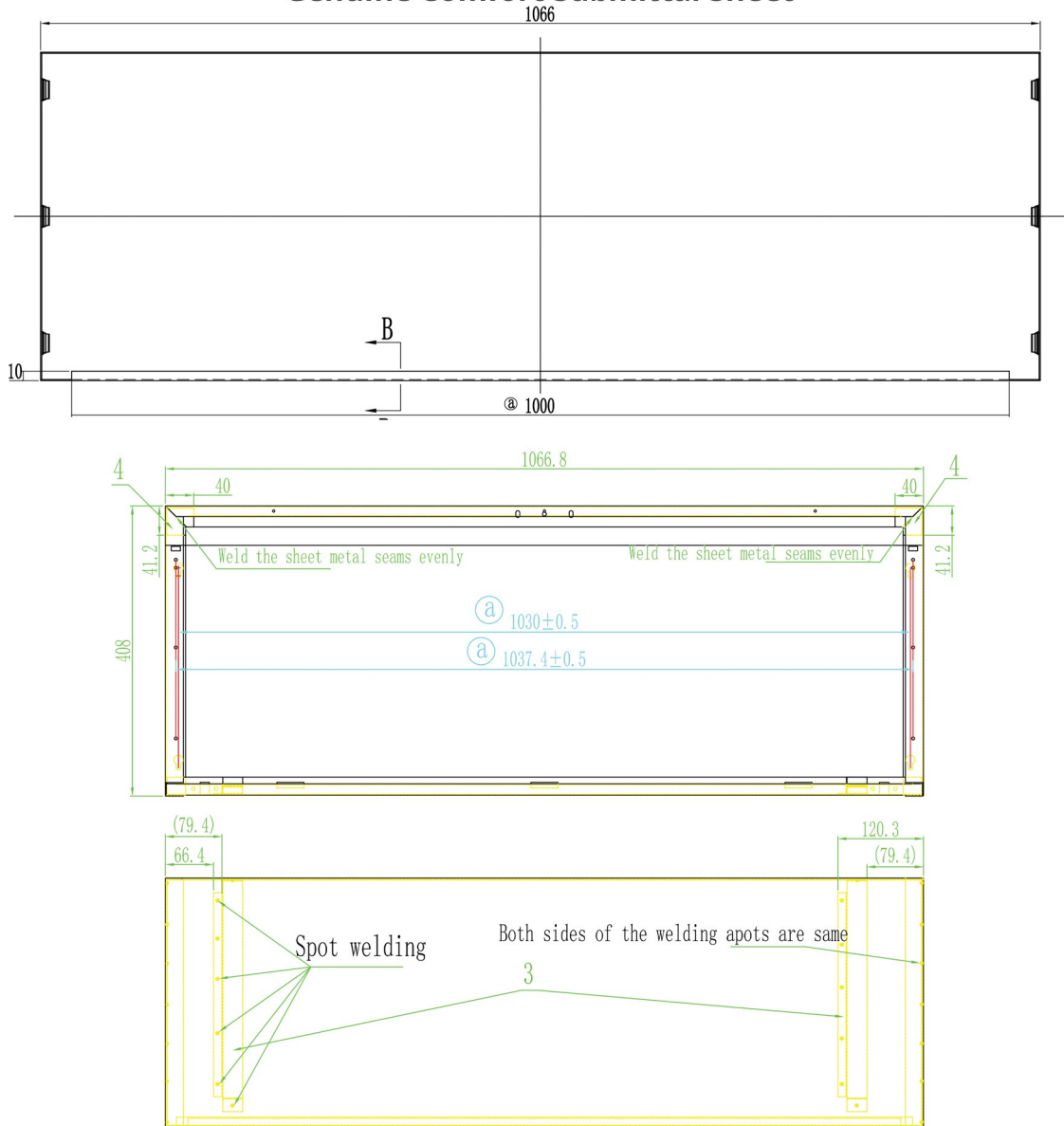
### Model: GCNTW01KS-C



# GENUINE COMFORT

DELIVERING COMFORT CONSISTENTLY

## Genuine Comfort Submittal Sheet



Part name	Material	Type of paint and color	QTY
Wall sleeve	Non passivated cold rolled steel sheet	Primary color of steel plate	1
Package carton	Five layer corrugated paper	Brown	1
Corner guards	Five layers of corrugated paper	Brown	2
Regular foam	EPS\410×310×45	White	4