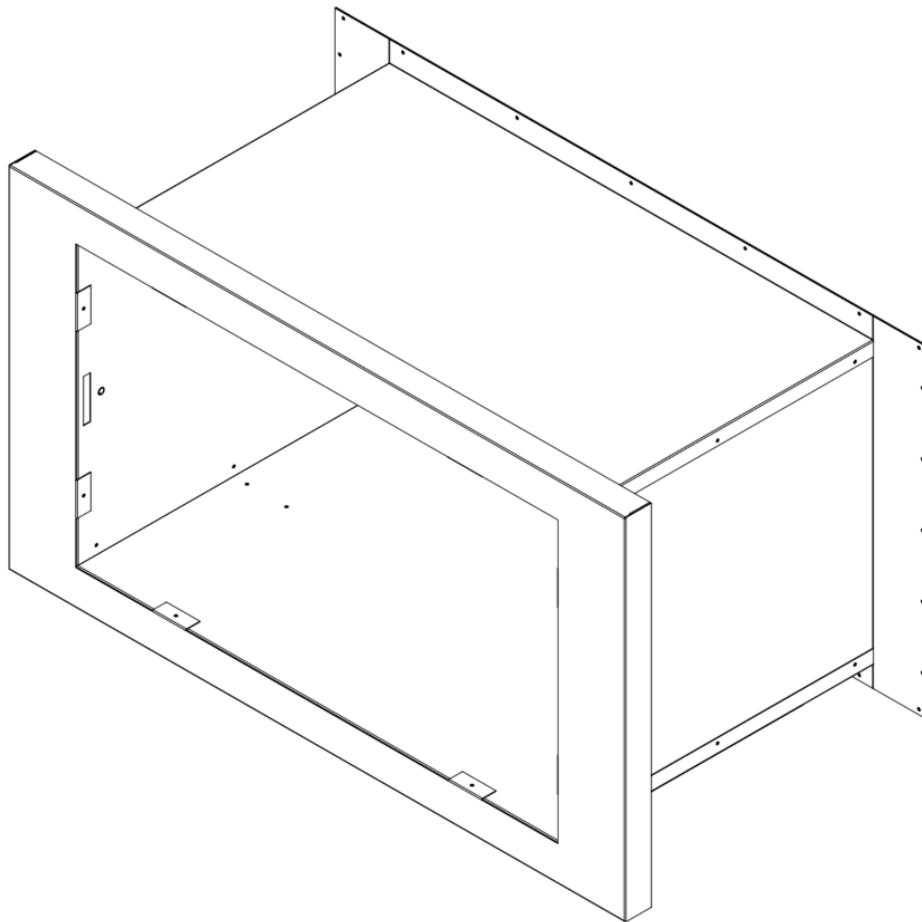


32" to 26" PTAC Conversion Sleeve | Model: GC-B2115

Job Name:	Engineer:
Purchaser:	Architect:
Unit No:	Contractor:
Schedule:	Submitted to:
Location:	Submitted by:
Comment:	Date Submitted:



Material:	20GA Galvanneal
Coating:	Polyster Powder Coating
Finish:	Putty Off White
Package Dimensions:	32-3/8" x 17" x 18-1/2"
Gross Weight:	21.5 lbs

Product Dimensions

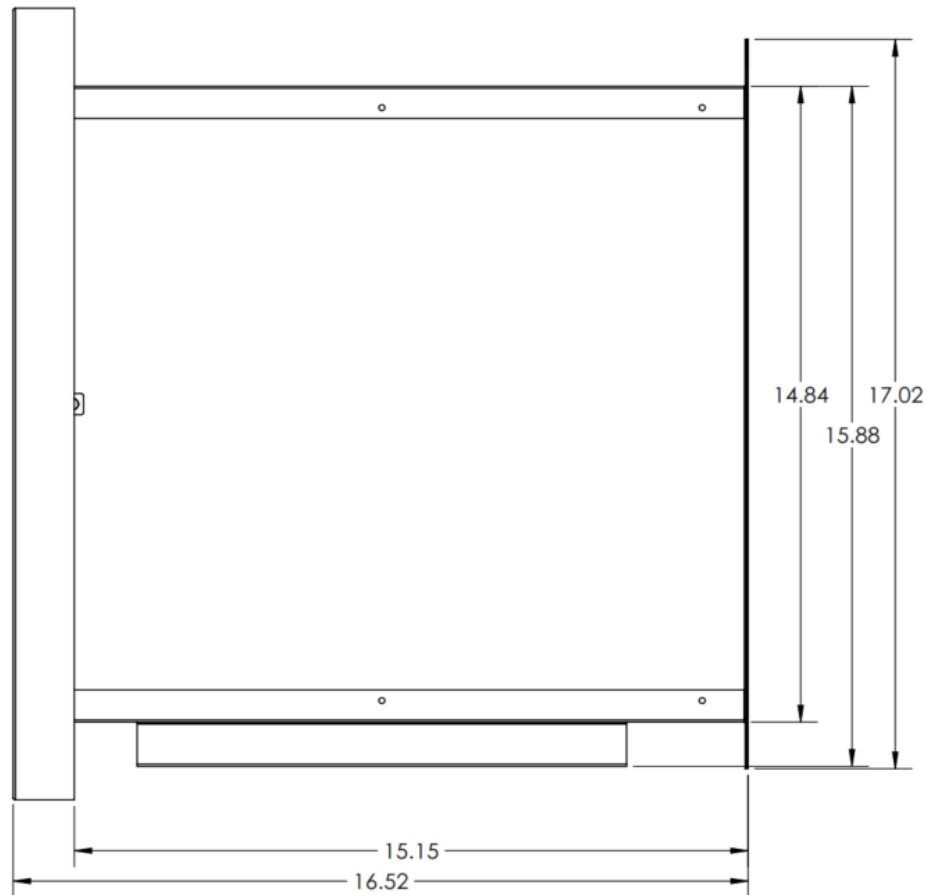
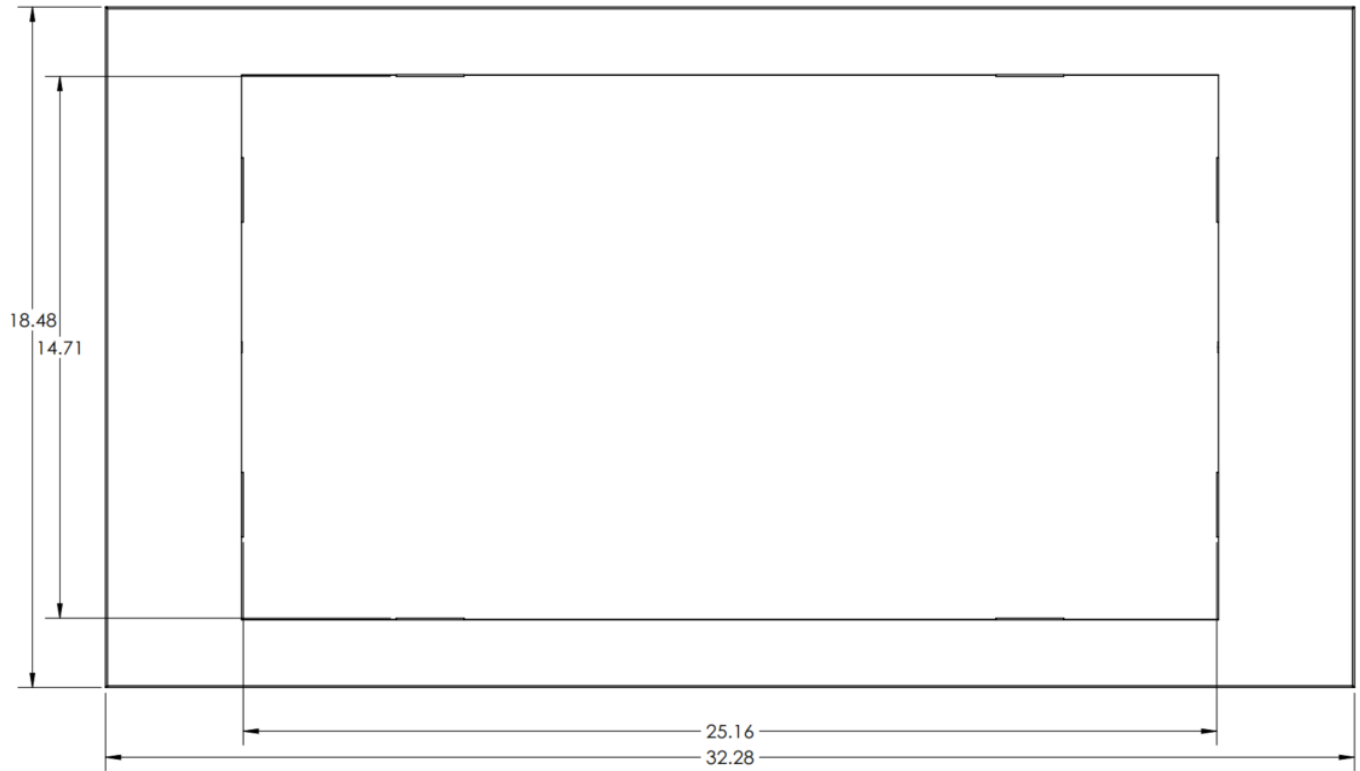
Height	18.48"
Width	32.28"
Depth	16.52"

Features

- Conversion Sleeve with weather seal
- Easy installation with no expensive renovations
- Fits standard DM series 32" wall sleeves
- Converts non-standard wall sleeve to 26" standard size Thru The Wall

32" to 26" PTAC Conversion Sleeve

Model: GC-B2115



Note: Model numbers are subject to change

The above designs and specifications are subject to change for product improvement

Version: 02.23