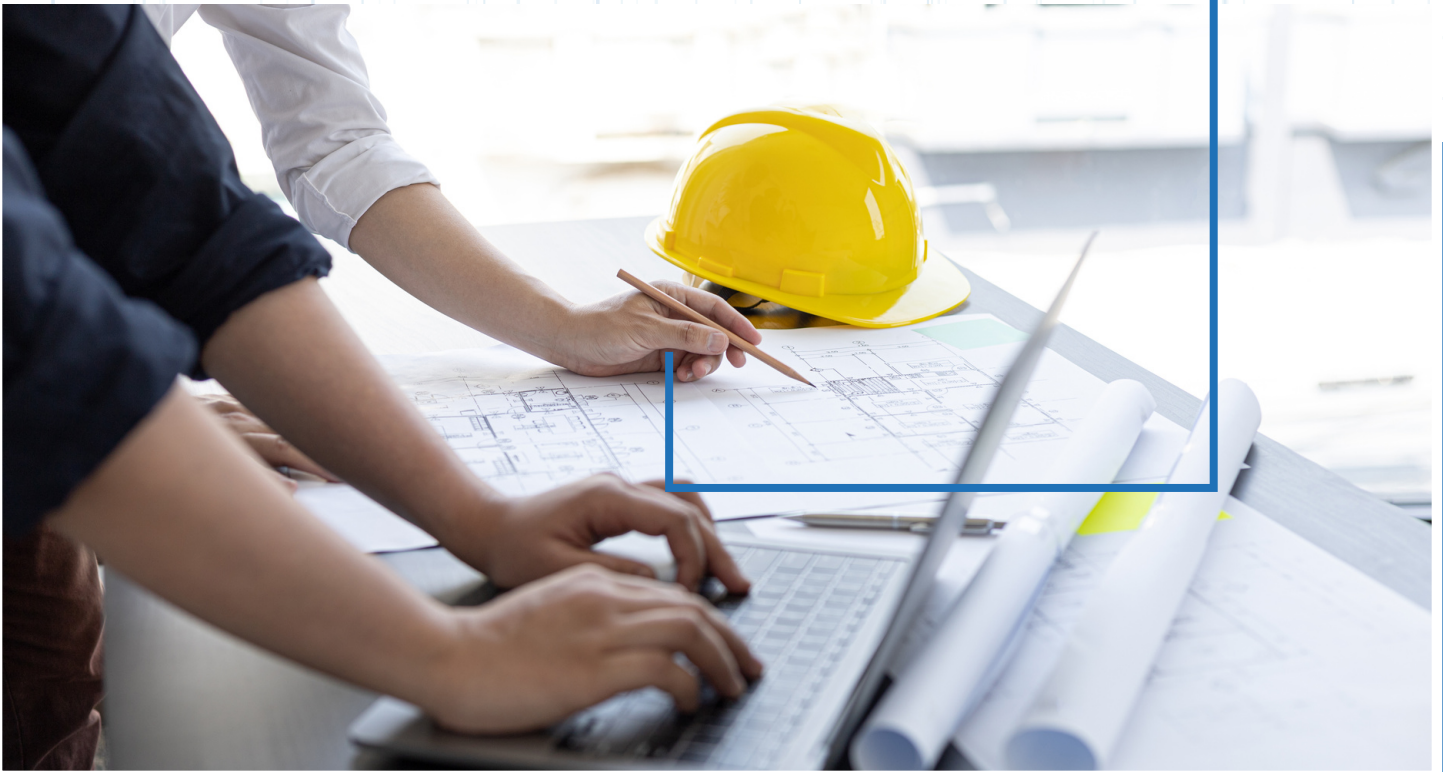


ARCHITECTS & ENGINEER SUBMITTAL SHEET

GENUINE COMFORT COMPACT FRIDGE 1.6



GENUINE COMFORT
DELIVERING COMFORT CONSISTENTLY

Packaged Terminal Air Conditioner

Job Name:		Engineer:	
Pruchaser:		Architect:	
Unit No.:		Contractor:	
Schedule:		Submitted to:	
Location:		Submitted by:	
Comment:		Date Submitted:	

SUBMITTAL SHEET

Genuine Comfort Compact Fridge 1.6

Unit Size: 17.25" W x 17.13" D x 19.09" H

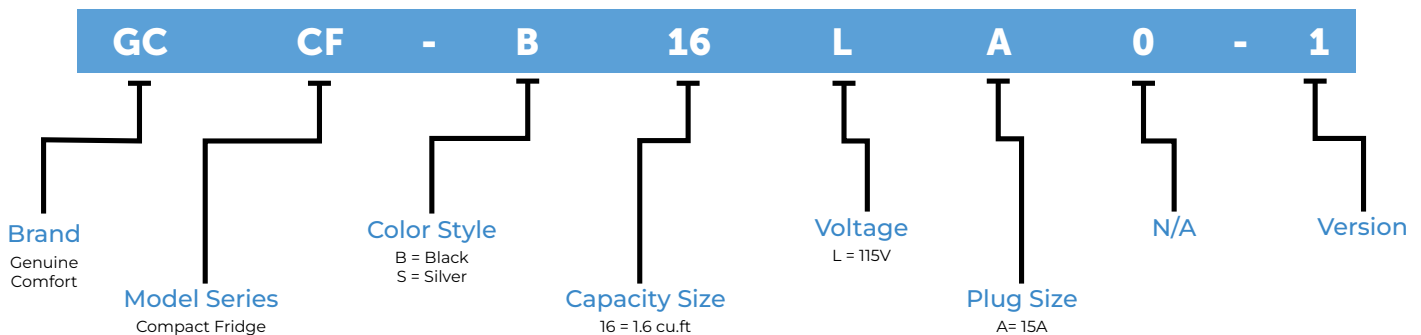
FEATURES

- All-refrigerator Design
- Adjustable thermostat
- Compressor
- Energy Star
- Adjustable feet
- Reversible door
- Door with magnetic seal
- Reversible door
- Handle
- Genuine Care Warranty: 1 Year Unit Replacement



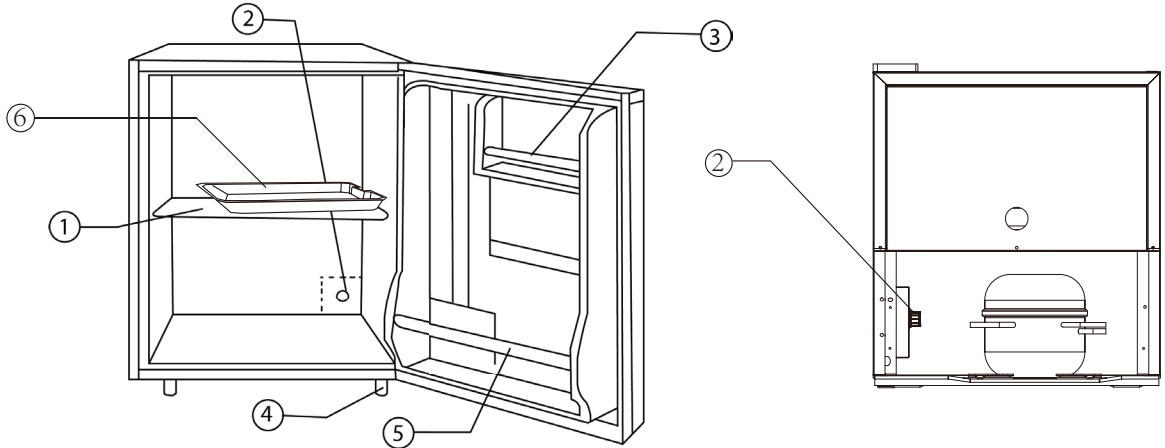
MODEL IDENTIFICATION

Example: GCCF-B16LA0-1

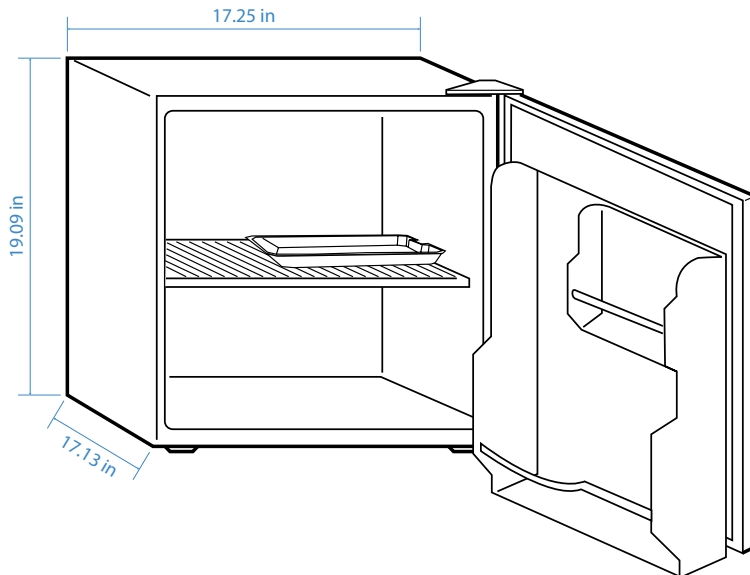


PARTS

1. Removable Shelf
2. Temperature Control
3. Dairy Rack
4. Adjustable Legs
5. Bottle Rack
6. Fruit Tray

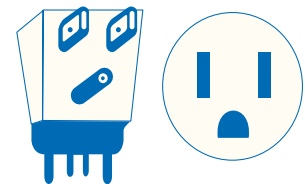


DIMENSION DRAWINGS



PLUG TYPE

HORIZONTAL



115V 15A

INSTALLATION INSTRUCTIONS

UNPACKING YOUR REFRIGERATOR

1. Remove all packaging material. This includes the Foam base and all adhesive tape holding the refrigerator accessories inside and outside.
2. Inspect and remove any remains of packing, tape or printed materials before powering on the refrigerator.

PROPER AIR CIRCULATION

- To ensure your refrigerator works at the maximum efficiency it was designed for, you should install it in a location where there is proper air circulation, plumbing and electrical connections.
- The following are recommended clearances around the refrigerator:

Sides	Top	Back
3/4" (19mm)	2" (50mm)	2" (50mm)

ELECTRICAL REQUIREMENT

- Make sure there is a suitable power outlet (115 volts, 15 amps outlet) with proper grounding to power the refrigerator.
- Avoid the use of three prong adapters or cutting off the third grounding prong in order to accommodate a two prong outlet. This is a dangerous practice since it provides no effective grounding for the refrigerator and may result in shock hazard.



DANGER
Risk of Fire or
Explosion

Flammable refrigerant used. To be repaired only by trained service personnel. Do not puncture refrigerant tubing.



CAUTION
Risk of Fire or
Explosion

Flammable refrigerant used. Consult repair manual/owner's guide before attempting to service this product. All safety precautions must be followed.



CAUTION
Risk of Fire or
Explosion

Dispose of property in accordance with federal or local regulations. Flammable refrigerant used.



CAUTION
Risk of Fire or
Explosion

Due to puncture of refrigerant tubing; follow handling instructions carefully. Flammable refrigerant used.

USE OF EXTENSION CORDS

- Avoid the use of an extension cord because of potential safety hazards under certain conditions. If it is necessary to use an extension cord, use only a 3-wire extension cord that has a 3-blade grounding plug and a 3-slot outlet that will accept the plug. The marked rating of the extension cord must be equal to or greater than the electrical rating of the appliance.

INSTALLATION LIMITATIONS

- Do not install your refrigerator in any location not properly insulated or heated, e.g. garage, etc. Your refrigerator was not designed to operate in temperature settings below 55° Fahrenheit.
- Select a suitable location for the refrigerator on a hard even surface away from direct sunlight or heat source, e.g. radiators, baseboard heaters, cooking appliances, etc. Any floor unevenness should be corrected with the leveling legs located on the front bottom corners of the refrigerator.

DOOR ALIGNMENT (See Fig. 1)

1. Remove the top hinge cover by using a flathead screwdriver. Place the head under the front edge of the cap and gently lift.
2. Loosen the top hinge screws using a Phillips head screw driver.
3. Adjust the door or put a spacer in between and tighten the screws.
4. Replace the top hinge cover by aligning the rear of the cover with the rear of the hinge. Press firmly on the front of the cover until it snaps in place.

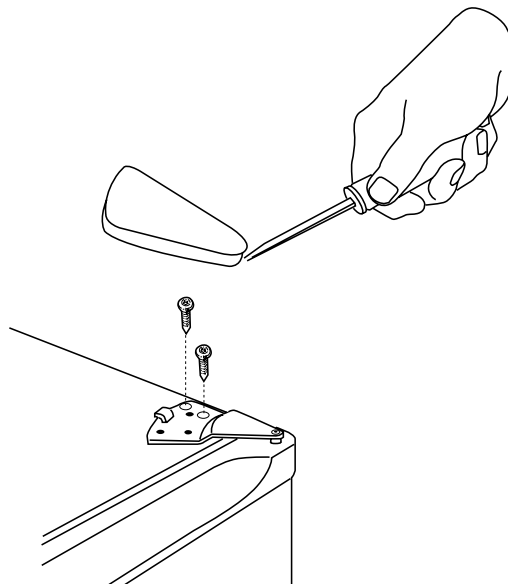


Fig. 1

SPECIFICATIONS

Model ID		GCCF-B16LA0-1	GCCF-S16LA0-1
Size Capacity	cu.ft	1.6	1.6
Rated Voltage	Frequency (60Hz)	V	115
Max. Input Consumption	W		
Max Current	A		
Energy consumption	Kwh/24h	208	208
Door Color		Black	Silver
Temperature Range	°C	0-10	0-10
Temperature control		Thermostat	Thermostat
Refrigerant		R600a	R600a
Noise	dB	less or equal to 40	less or equal to 40
Safety Listing Certification		UL	UL
Unit Dimensions W x D x H	in	17.25 x 17.13 x 19.09	17.25 x 17.13 x 19.09
Carton Box Dimensions(in)	in	18.19 x 18.50 x 20.63	18.19 x 18.50 x 20.63
Net Weight	lbs	26.5	26.5
Gross Weight	lbs	28.7	28.7
Cord Type		LCDI(5-15P)	LCDI(5-15P)

Manufacturer reserves the right to change specifications. Our products are subject to continuous improvements. Genuine Comfort reserves the right to modify product design and specifications, discontinue design without notice and without incurring any obligations. Warranty limited to Canada and USA. See warranty documentation for full details.