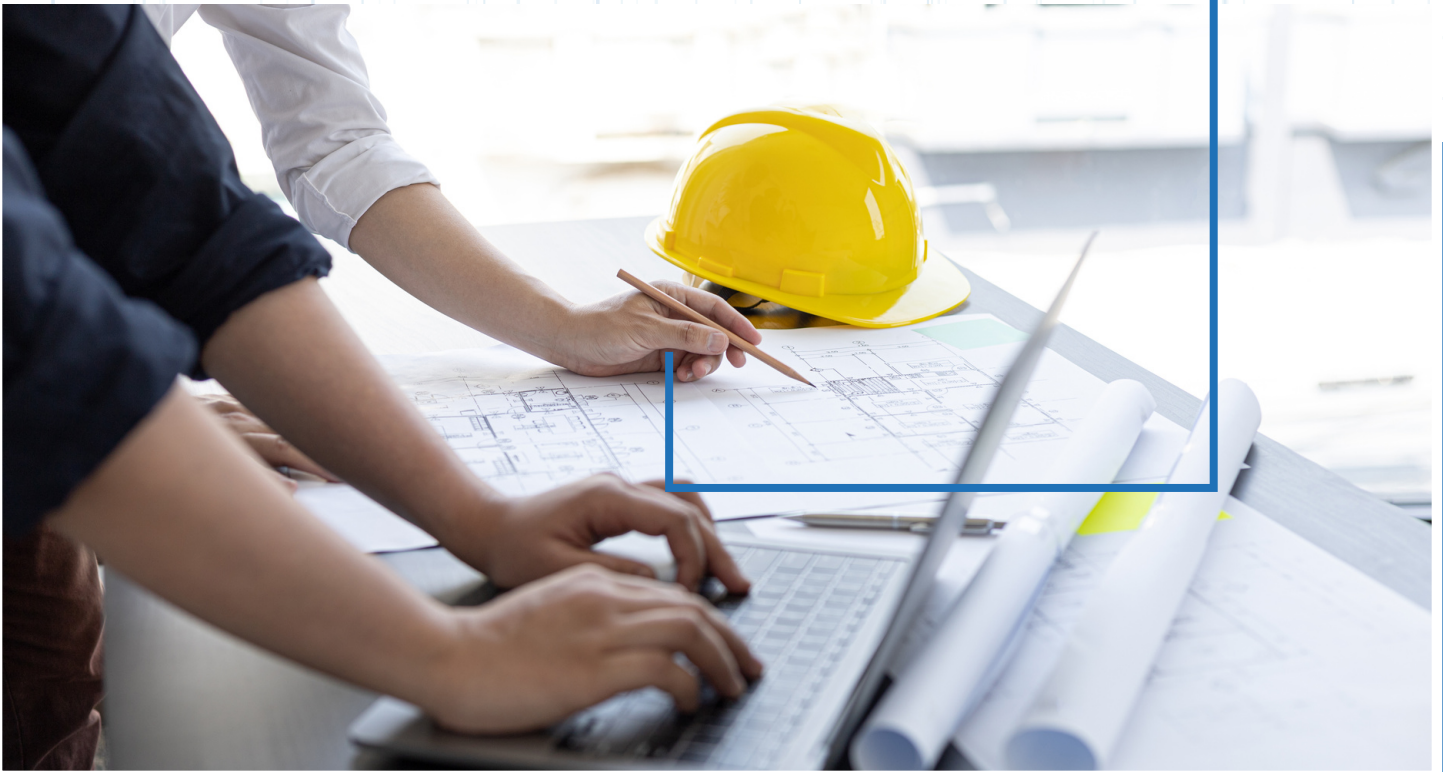


# ARCHITECTS & ENGINEER SUBMITTAL SHEET

GENUINE COMFORT COMPACT FRIDGE 2.6



**GENUINE COMFORT**  
DELIVERING COMFORT CONSISTENTLY

Packaged Terminal Air Conditioner

Job Name:		Engineer:	
Pruchaser:		Architect:	
Unit No.:		Contractor:	
Schedule:		Submitted to:	
Location:		Submitted by:	
Comment:		Date Submitted:	

## SUBMITTAL SHEET

### Genuine Comfort Compact Fridge 2.6

Unit Size: 17.52" W x 19.29" D x 24.96" H

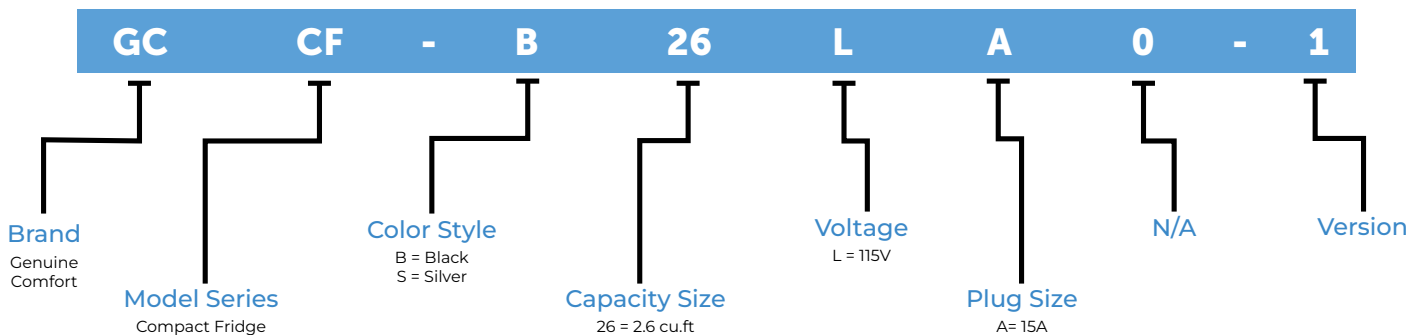
### FEATURES

- All-refrigerator Design
- Adjustable thermostat
- Compressor
- Energy Star
- Adjustable feet
- Reversible door
- Door with magnetic seal
- Reversible door
- Handle
- Genuine Care Warranty: 1 Year Unit Replacement



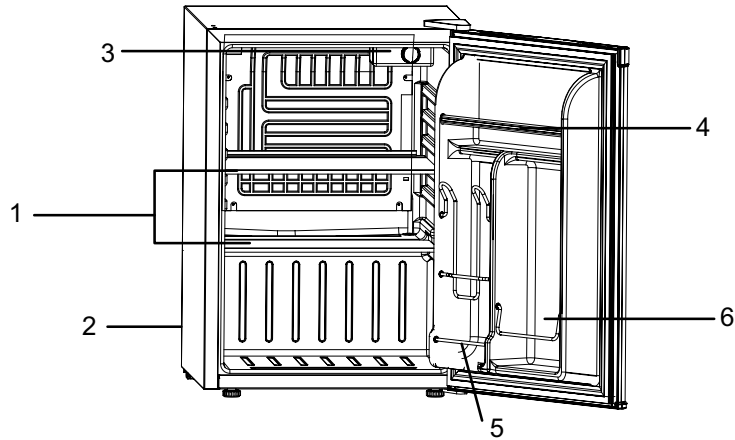
### MODEL IDENTIFICATION

Example: GCCF-B26LA0-1

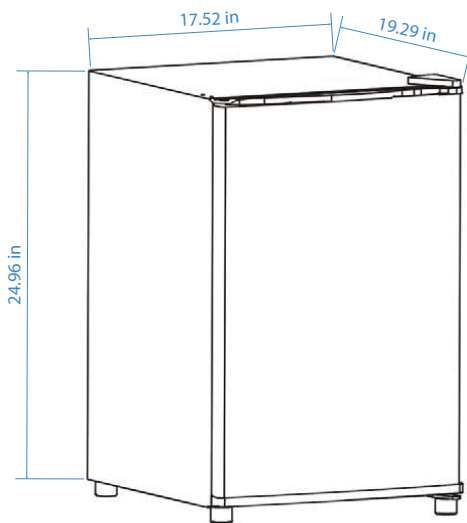


## PARTS

1. Removable Food Shelf
2. Drip Tray (at the rear, above the compressor)
3. Temperature Dial
4. Dairy Rack
5. Can Rack
6. Bottle Rack

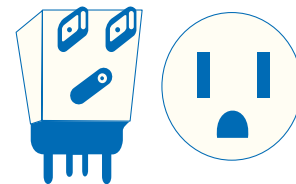


## DIMENSION DRAWINGS



## PLUG TYPE

HORIZONTAL



115V 15A

## INSTALLATION INSTRUCTIONS

- Install refrigerator in a convenient location away from extreme heat and cold. Allow sufficient clearance between the refrigerator and sidewall so the door will open without obstruction. Refrigerator is designed for recessed installation.
- Select a space with strong enough and level floor to support it fully loaded. Not recommended for carpeting or other soft / uneven surfaces.
- Better to allow 2 inches of space between the refrigerator's side and the wall to keep the unit's good refrigeration performance. In addition, sufficient clearance (160°) should be maintained to allow the door to open properly and completely.
- The appliance must be correctly connected to the power supply.
- Do not use an extension cord.

### LEVELING LEGS (See Fig. 1)

Turn counterclockwise to raise, clockwise to lower.

*Adjustable legs* at the front corners of the refrigerator should be set so the refrigerator is firmly positioned on the floor and the front is raised just enough that the door closes easily when opened about halfway.

*To adjust the leveling legs, turn the legs counterclockwise to raise the refrigerator, clockwise to lower it.*

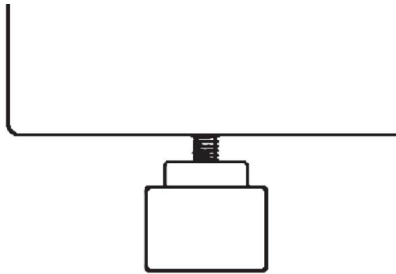


Fig. 1

### DOOR REVERSAL INSTRUCTIONS (See Fig. 2)

Your refrigerator is built with a reversible door. You have the choice of either opening it from left or the right sides. In order to reverse the opening direction of your door, please follow these simple instructions.

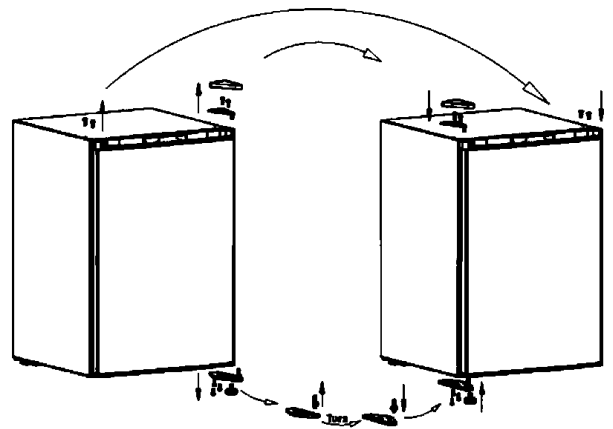


Fig. 2



#### CAUTION

The refrigerator is not designed to be installed in an outside area such as a garage or a porch. Ambient temperatures of below 50° or above 90° will hinder the performance of the appliance.



#### CAUTION Power Cord Replacement

If the refrigerator's power cord is damaged, have it replaced by a qualified repair agent.

## SPECIFICATIONS

Model ID		GCCF-B26LA0-1	GCCF-S26LA0-1
Size Capacity	cu.ft	2.6	2.6
Rated Voltage	Frequency (60Hz)	V	115
Max. Input Consumption	W		
Max Current	A		
Energy consumption	Kwh/24h	215	215
Door Color		Black	Silver
Temperature Range	°C	0-10	0-10
Temperature control		Thermostat	Thermostat
Refrigerant		R600a	R600a
Noise	dB	less or equal to 40	less or equal to 40
Safety Listing Certification		UL	UL
Unit Dimensions W x D x H	in	17.52 x 19.29 x 24.96	17.52 x 19.29 x 24.96
Carton Box Dimensions(in)	in	18.19 x 21.26 x 25.98	18.19 x 21.26 x 25.98
Net Weight	lbs	40	40
Gross Weight	lbs	50.3	50.3
Cord Type		LCDI(5-15P)	LCDI(5-15P)

Manufacturer reserves the right to change specifications. Our products are subject to continuous improvements. Genuine Comfort reserves the right to modify product design and specifications, discontinue design without notice and without incurring any obligations. Warranty limited to Canada and USA. See warranty documentation for full details.