

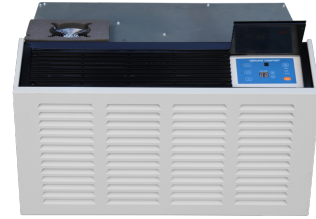
Spec Sheet

Genuine Comfort DM Series PTAC/PTHP

Unit Size: 32"W x 18-5/16" H Wall Sleeve

FEATURES

- Digital controls
- Hand Held Remote Control (Not Included)
- Slide-Out Washable & Easy-Clean Filter
- Two Indoor Fan Speeds
- Universal Heater
- Indoor Cross Flow Fan For Quiet Operation
- Error Code Display For Easy Diagnostic
- 24 Volt Wall Thermostat Control Option
- Compressor Time Delay Protection and Efficiency
- R410a Refrigerant
- Genuine Care Warranty: 1 Year Unit Replacement (if parts and labour is not available), 6 Year Parts Replacement



Ducted Model

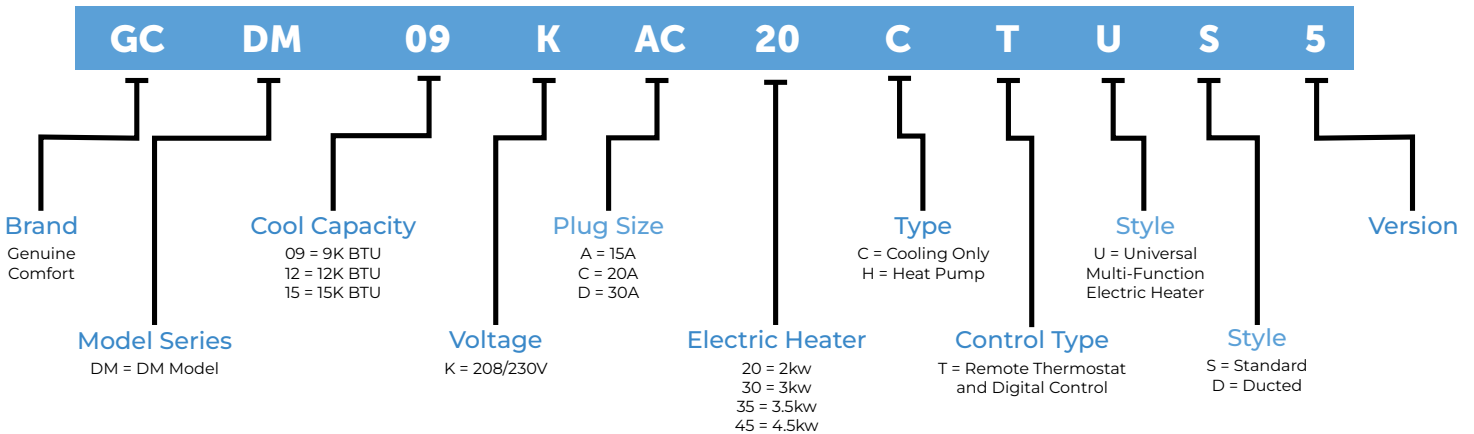


Standard Non-Ducted Model



MODEL IDENTIFICATION

Example: **GCDM09KA20CTUS5**



ACCESSORIES

*SOLD SEPARATELY



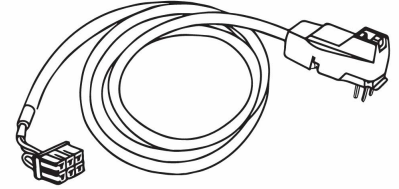
HAND HELD
REMOTE CONTROLLER



STAMPED GRILLE



ARCHITECTURAL
GRILLE



Power Cord



WIRELESS + WIRED
THERMOSTAT



OCCUPANCY SENSOR
THERMOSTAT



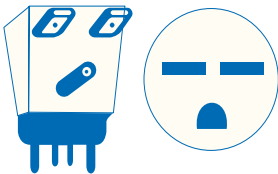
EMS THERMOSTAT



WALL SLEEVE

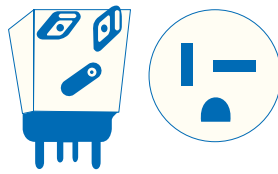
PLUG TYPE

TANDEM



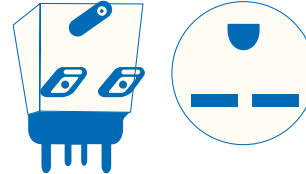
208V/230V 15A

PERPENDICULAR



208V/230V 20A

LARGE TANDEM



208V/230V 30A

SPECIFICATIONS (COOLING W/ ELECTRIC HEAT NON-DUCTED)

Model ID			GCDM09KAC2035CTUS5	GCDM12KCD3045CTUS5	GCDM15KCD3045CTUS5
Power Supply	Voltage (1 Ph., 60Hz)	V	208/230V	208/230V	208/230V
	Capacity	Btu/h	9000/9300	11700/12000	13500/13700
Cooling	Input	W	850/880	1150/1180	1390/1410
		EER	10.6/10.6	10.2/10.2	9.7/9.7
Indoor Air Flow (L/M/H)		CFM	280/335	280/335	280/335
Outdoor Fresh Air		CFM	30	30	30
Indoor Sound Level (L/M/H)		dB(a)	50/54	50/54	50/54
Outdoor Sound Level (L/M/H)		dB(a)	67	68	70
Unit Dimensions (W x D x H)		inch	32 x 18 x 22.6	32 x 18 x 22.6	32 x 18 x 22.6
Package Dimension (W x D x H)		inch	34.6 x 25.9 x 20.6	34.6 x 25.9 x 20.6	34.6 x 25.9 x 20.6
Net/Gross Weight		lbs.	115.7/128.9	121.2/134.4	121.2/134.4
Refrigerant Type			R410A	R410A	R410A
Operation Temperature (Indoor)		C	16 - 32	16 - 32	16 - 32
		F	60 - 90	60 - 90	60 - 90
Ambient Temperature (Outdoor)		C	12 - 48	12 - 48	12 - 48
		F	53.6 - 118	53.6 - 118	53.6 - 118

SPECIFICATIONS (COOLING W/ ELECTRIC HEAT DUCTED)

Model ID			GCDM09KAC2035CTUD5	GCDM12KCD3045CTUD5	GCDM15KCD3045CTUD5
Power Supply	Voltage (1 Ph., 60Hz)	V	208/230V	208/230V	208/230V
	Capacity	Btu/h	9000/9300	11700/12000	13500/13700
Cooling	Input	W	850/880	1150/1180	1390/1410
		EER	10.6/10.6	10.2/10.2	9.7/9.7
Indoor Air Flow (L/M/H)		CFM	280/335	280/335	280/335
Outdoor Fresh Air		CFM	30	30	30
Indoor Sound Level (L/M/H)		dB(a)	52/56	52/56	52/56
Outdoor Sound Level (L/M/H)		dB(a)	67	68	70
Unit Dimensions (W x D x H)		inch	32 x 18 x 22.6	32 x 18 x 22.6	32 x 18 x 22.6
Package Dimension (W x D x H)		inch	34.6 x 25.9 x 20.6	34.6 x 25.9 x 20.6	34.6 x 25.9 x 20.6
Net/Gross Weight		lbs.	116.8/130	122.3/135.5	122.3/135.5
Refrigerant Type			R410A	R410A	R410A
Operation Temperature (Indoor)		C	16 - 32	16 - 32	16 - 32
		F	60 - 90	60 - 90	60 - 90
Ambient Temperature (Outdoor)		C	12 - 48	12 - 48	12 - 48
		F	53.6 - 118	53.6 - 118	53.6 - 118

SPECIFICATIONS (HEAT PUMP W/ ELECTRIC HEAT NON-DUCTED)

Model ID			GCDM09KAC2035HTUS5	GCDM12KCD3045HTUS5	GCDM15KCD3045HTUS5
Power Supply	Voltage (1 Ph., 60Hz)	V	208/230V	208/230V	208/230V
	Capacity	Btu/h	9000/9200	11000/11500	13300/13700
Cooling	Input	W	885/860	1150/1180	1390/1430
		EER	10.4/10.4	9.7/9.6	9.6/9.6
	Capacity	Btu/h	8300/8600	10600/10800	12800/13200
Heating	Input	W	780/800	1020/1060	1260/1300
		COP	3.1/3.2	3.0/3.0	3.0/3.0
Indoor Air Flow (L/M/H)	CFM		280/335	280/335	280/335
Outdoor Fresh Air	CFM		30	30	30
Indoor Sound Level (L/M/H)	dB(a)		50/54	50/54	50/54
Outdoor Sound Level (L/M/H)	dB(a)		67	68	70
Unit Dimensions (W x D x H)	inch		32 x 18 x 22.6	32 x 18 x 22.6	32 x 18 x 22.6
Package Dimension (W x D x H)	inch		34.6 x 25.9 x 20.6	34.6 x 25.9 x 20.6	34.6 x 25.9 x 20.6
Net/Gross Weight	lbs.		116.8/130	122.3/135.5	122.3/135.5
Refrigerant Type			R410A	R410A	R410A
Operation Temperature (Indoor)	C		16 - 32	16 - 32	16 - 32
	F		60 - 90	60 - 90	60 - 90
Ambient Temperature (Outdoor)	C (Cooling)		12 - 48	12 - 48	12 - 48
	F (Cooling)		53.6 - 118	53.6 - 118	53.6 - 118
	C (Heating)		5 - 27	5 - 27	5 - 27
	F (Heating)		41 - 80.6	41 - 80.6	41 - 80.6

SPECIFICATIONS (HEAT PUMP W/ ELECTRIC HEAT DUCTED)

Model ID			GCDM09KAC2035HTUD5	GCDM12KCD3045HTUD5	GCDM15KCD3045HTUD5
Power Supply	Voltage (1 Ph., 60Hz)	V	208/230V	208/230V	208/230V
	Capacity	Btu/h	9000/9200	11000/11500	13300/13700
Cooling	Input	W	885/860	1150/1180	1390/1430
		EER	10.4/10.4	9.7/9.6	9.6/9.6
	Capacity	Btu/h	8300/8600	10600/10800	12800/13200
Heating	Input	W	780/800	1020/1060	1260/1300
		COP	3.1/3.2	3.0/3.0	3.0/3.0
Indoor Air Flow (L/M/H)		CFM	280/335	280/335	280/335
Outdoor Fresh Air		CFM	30	30	30
Indoor Sound Level (L/M/H)		dB(a)	52/56	52/56	52/56
Outdoor Sound Level (L/M/H)		dB(a)	67	68	70
Unit Dimensions (W x D x H)		inch	32 x 18 x 22.6	32 x 18 x 22.6	32 x 18 x 22.6
Package Dimension (W x D x H)		inch	34.6 x 25.9 x 20.6	34.6 x 25.9 x 20.6	34.6 x 25.9 x 20.6
Net/Gross Weight		lbs.	118.8/131.1	123.4/136.6	123.4/136.6
Refrigerant Type			R410A	R410A	R410A
Operation Temperature (Indoor)		C	16 - 32	16 - 32	16 - 32
		F	60 - 90	60 - 90	60 - 90
Ambient Temperature (Outdoor)		C (Cooling)	12 - 48	12 - 48	12 - 48
		F (Cooling)	53.6 - 118	53.6 - 118	53.6 - 118
		C (Heating)	5 - 27	5 - 27	5 - 27
		F (Heating)	41 - 80.6	41 - 80.6	41 - 80.6

SPECIFICATIONS (ELECTRIC HEATER SIZES)

Model ID			15A	20A	20A	30A
Electric Heating	Electric Heater Size	KW	2KW	3.5KW	3.0KW	4.5KW
	Capacity	Btu/h	6800/5500	12000/9900	10200/8300	15300/12600
	Input	W	2060/1705	3550/2900	3050/2500	4550/3730
	Rated Current	AMPS	9.0/8.2	15.5/14.0	13.2/12.0	19.8/18.0
Max Input Consumption		W	2060	2550	2050	4550
Max Current		A	9	15.5	13.2	19.8
Compatible Capacity			9K	9K	12 / 15K	12 / 15K
Cord Type			LCDI-15A	LCDI-20A	LCDI-20A	LCDI-30A
Cord Length		Ft.	6.23	6.23	6.23	6.23

The electric heater size is determined by the power cord selected.