

# Spec Sheet

## Genuine Comfort Inverter Vertical Terminal Heat Pump

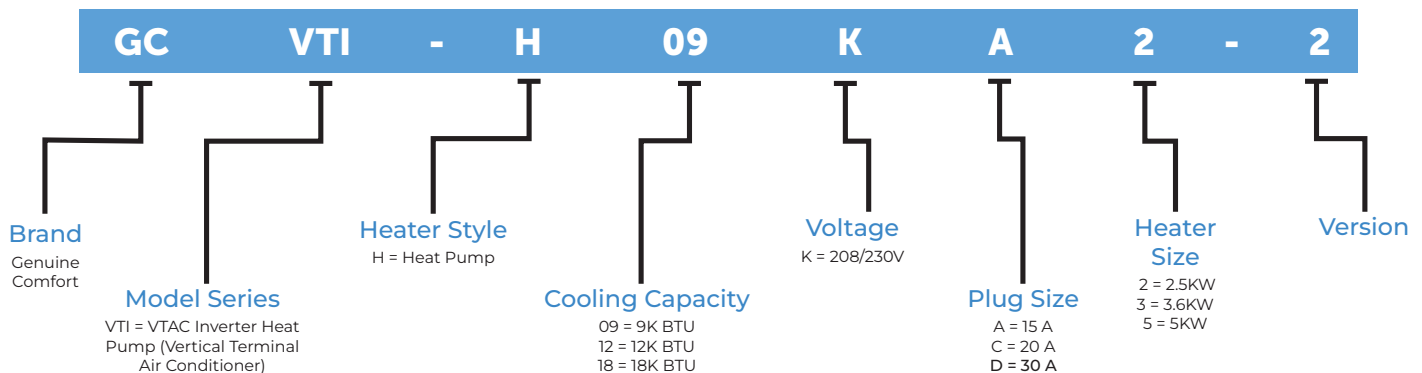
### FEATURES

- "Ductable" to Multiple Rooms
- Two Indoor Fan Speeds
- Easily Reachable Disconnect Switch
- Error Code Display for easy Diagnostic
- Dual Motors for Quiet & Efficient Operation
- 24 Volt Wall Thermostat Control Option
- Compressor Time Delay Protection and Efficiency
- R410a Refrigerant
- Automated Room Freeze Protection (10C/50F)
- Optional Low Ambient Kit
- Genuine Care Warranty: 1 Year Unit Replacement (if parts and labour is not available), 6 Year Parts Replacement



### MODEL IDENTIFICATION

Example: GCVTI-H09KA2-2



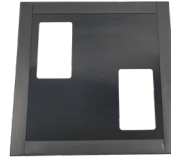
## ACCESSORIES



INTERIOR FRONT  
PANEL



PLENUM  
EXTENSION



BASE



ARCHITECTURAL  
GRILLE



WIRED / WIRELESS  
THERMOSTAT



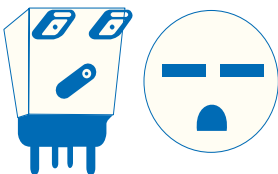
OCCUPANCY  
SENSOR THERMOSTAT



EMS THERMOSTAT

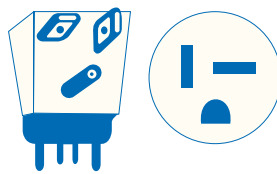
## PLUG TYPE

TANDEM



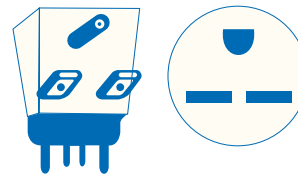
208V/230V 15A

PERPENDICULAR



208V/230V 20A

LARGE TANDEM



208V/230V 30A

## SPECIFICATIONS (HEAT PUMP W/ ELECTRIC HEAT)

Model ID			GCVTI-H09KA2-2	GCVTI-H09KC3-2
Power Supply	Voltage (1 Ph., 60Hz)	V	230/208V	230/208V
	Capacity	Btu/h	9700/9700	9700/9700
Cooling	Input	WA	850/850	850/850
		EER	11.4	11.4
	Capacity	Btu/h	9200/9200	9200/9200
Heating	Input	WA	720/720	720/720
		COP	3.75	3.75
	Capacity	Btu/h	8500/6900	12200/10000
Electric Heater	Input	WA	2550/2090	3650/2990
		COP	11.1/10.0	15.9/14.3
Max Input Consumption		WA	2550	3650
Max Current		A	11.1	15.90
Indoor Air Flow (L/M/H)		CFM	259/353	259/353
Indoor Sound Level (L/M/H)		dB(a)	60/62/64	60/62/64
Outdoor Sound Level (L/M/H)		dB(a)	66	66
Unit Dimensions (W x H x D)		inch	23-1/8 x 31-1/4 x 23-1/8	23-1/8 x 31-1/4 x 23-1/8
Package Dimension (W x H x D)		inch	27-3/4 x 37-1/5 x 27-3/4	27-3/4 x 37-1/5 x 27-3/4
Net/Gross Weight		lbs.	126 / 143	126 / 143
Refrigerant Type			R410A	R410A
Operation Temperature (Indoor)		°C	16 - 32	16 - 32
		°F	60 - 90	60 - 90
		°C (Cooling)	12 - 48	12 - 48
Ambient Temperature (Outdoor)		°F (Cooling)	54 - 118	54 - 118
		°C (Heating)	2 - 24 *(-8 - 24)	2 - 24 *(-8 - 24)
		°F (Heating)	35 - 75 *(17 - 75)	35 - 75 *(17 - 75)
Cord Type			LCDI-15A	LCDI-20A
Cord Length		Ft	6.5	6.5

\*Optional Low Ambient Kit

## SPECIFICATIONS (HEAT PUMP W/ ELECTRIC HEAT) (CONTINUED)

Model ID			GCVTI-H12KA2-2	GCVTI-H12KC3-2	GCVTI-H12KD5-2
Power Supply	Voltage (1 Ph., 60Hz)	V	230/208V	230/208V	230/208V
	Capacity	Btu/h	12900/12900	12900/12900	12900/12900
Cooling	Input	WA	1140/1140	1140/1140	1140/1140
		EER	11.3	11.3	11.3
	Capacity	Btu/h	12000/12000	12000/12000	12000/12000
Heating	Input	WA	1010/1010	1010/1010	1010/1010
		COP	3.5	3.5	3.5
	Capacity	Btu/h	8500/6900	12200/10000	17000/13900
Electric Heater	Input	WA	2550/2090	3650/2990	5050/4135
		COP	11.1/10.0	15.9/14.3	21.9/19.8
Max Input Consumption		WA	2550	3650	5050
Max Current		A	11.1	15.90	21.9
Indoor Air Flow (L/M/H)		CFM	259/353	350/430	350/430
Indoor Sound Level (L/M/H)		dB(a)	60/62/64	60/62/64	60/62/64
Outdoor Sound Level (L/M/H)		dB(a)	66	66	66
Unit Dimensions (W x H x D)		inch	23-1/8 x 31-1/4 x 23-1/8	23-1/8 x 31-1/4 x 23-1/8	23-1/8 x 31-1/4 x 23-1/8
Package Dimension (W x H x D)		inch	27-3/4 x 37-1/5 x 27-3/4	27-3/4 x 37-1/5 x 27-3/4	27-3/4 x 37-1/5 x 27-3/4
Net/Gross Weight		lbs.	126 / 143	126 / 143	126 / 143
Refrigerant Type			R410A	R410A	R410A
Operation Temperature (Indoor)		°C	16 - 32	16 - 32	16 - 32
		°F	60 - 90	60 - 90	60 - 90
		°C (Cooling)	12 - 48	12 - 48	12 - 48
Ambient Temperature (Outdoor)		°F (Cooling)	54 - 118	54 - 118	54 - 118
		°C (Heating)	2 - 24 *(-8 - 24)	2 - 24 *(-8 - 24)	2 - 24 *(-8 - 24)
		°F (Heating)	35 - 75 *(17 - 75)	35 - 75 *(17 - 75)	35 - 75 *(17 - 75)
Cord Type			LCDI-15A	LCDI-20A	LCDI-30A
Cord Length		Ft	6.5	6.5	6.5

\*Optional Low Ambient Kit

## SPECIFICATIONS (HEAT PUMP W/ ELECTRIC HEAT) (CONTINUED)

Model ID			GCVTI-H18KC3-2	GCVTI-H18KD5-2
Power Supply	Voltage (1 Ph., 60Hz)	V	230/208V	230/208V
	Capacity	Btu/h	15200/15200	15200/15200
Cooling	Input	WA	1415/1415	1415/1415
		EER	10.7	10.7
	Capacity	Btu/h	15100/15100	15100/15100
Heating	Input	WA	1325/1325	1325/1325
		COP	3.3	3.3
	Capacity	Btu/h	12200/10000	17000/13900
Electric Heater	Input	WA	3650/2990	5050/4135
		COP	15.9/14.3	21.9/19.8
Max Input Consumption		WA	3650	5050
Max Current		A	15.90	21.9
Indoor Air Flow (L/M/H)		CFM	353/436	353/436
Indoor Sound Level (L/M/H)		dB(a)	-/62/64	-/62/64
Outdoor Sound Level (L/M/H)		dB(a)	68	68
Unit Dimensions (W x H x D)		inch	23-1/8 x 31-1/4 x 23-1/8	23-1/8 x 31-1/4 x 23-1/8
Package Dimension (W x H x D)		inch	27-3/4 x 37-1/5 x 27-3/4	27-3/4 x 37-1/5 x 27-3/4
Net/Gross Weight		lbs.	128 / 144	128 / 144
Refrigerant Type			R410A	R410A
Operation Temperature (Indoor)		°C	16 - 32	16 - 32
		°F	60 - 90	60 - 90
		°C (Cooling)	12 - 48	12 - 48
Ambient Temperature (Outdoor)		°F (Cooling)	54 - 118	54 - 118
		°C (Heating)	2 - 24 *(-8 - 24)	2 - 24 *(-8 - 24)
		°F (Heating)	35 - 75 *(17 - 75)	35 - 75 *(17 - 75)
Cord Type			LCDI-20A	LCDI-30A
Cord Length		Ft	6.5	6.5

\*Optional Low Ambient Kit

Manufacturer reserves the right to change specifications. Our products are subject to continuous improvements. Genuine Comfort reserves the right to modify product design and specifications, discontinue design without notice and without incurring any obligations.