

Spec Sheet

Genuine Comfort Inverter Vertical Terminal Heat Pump

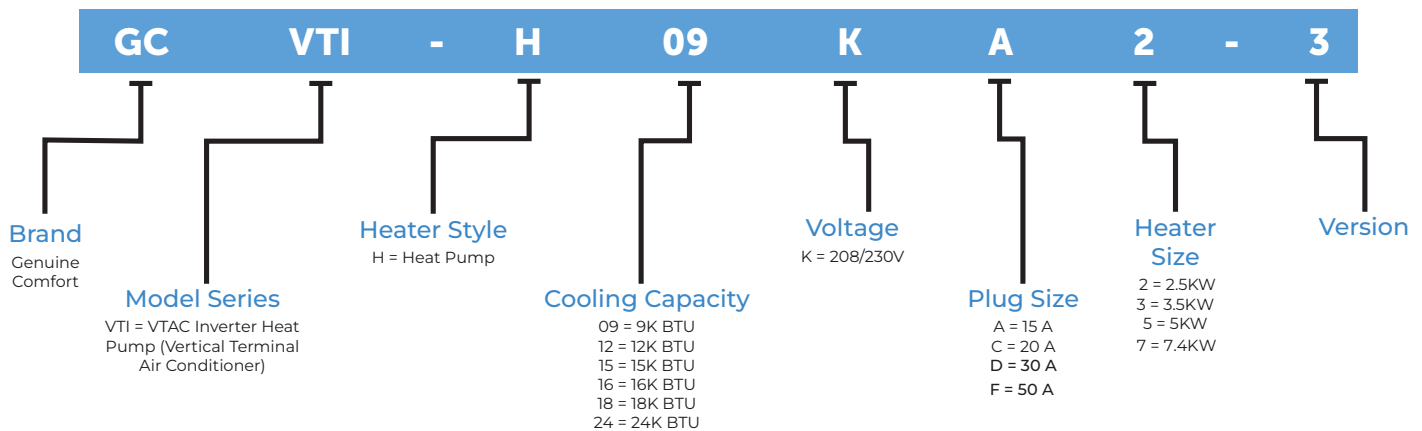
FEATURES

- "Ductable" to Multiple Rooms
- Three Indoor Fan Speeds
- Easily Reachable Disconnect Switch
- Error Code Display for easy Diagnostic
- Dual Motors for Quiet & Efficient Operation
- 24 Volt Wall Thermostat Control Option
- Compressor Time Delay Protection and Efficiency
- R32 Refrigerant
- Automated Room Freeze Protection (10C/50F)
- Low Ambient Operation Down to -15C
- Genuine Care Warranty: 1 Year Unit Replacement (if parts and labour is not available), 6 Year Parts Replacement



MODEL IDENTIFICATION

Example: GCVTI-H09KA2-3



ACCESSORIES



INTERIOR FRONT
PANEL



PLENUM
EXTENSION



BASE



ARCHITECTURAL
GRILLE



WIRED / WIRELESS
THERMOSTAT



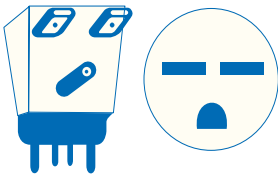
OCCUPANCY
SENSOR THERMOSTAT



EMS THERMOSTAT

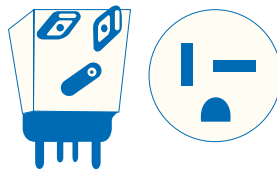
PLUG TYPE

TANDEM



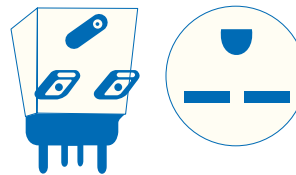
208V/230V 15A

PERPENDICULAR



208V/230V 20A

LARGE TANDEM



208V/230V 30A

SPECIFICATIONS (HEAT PUMP W/ ELECTRIC HEAT)

Model ID			GCVTI-H09KC3-3	GCVTI-H12KC3-3	GCVTI-H15KD5-3
Power Supply	Voltage (1 Ph., 60Hz)	V	230/208V	230/208V	230/208V
	Capacity	Btu/h	9700	12600	15300
Cooling	Input	WA	880	1135	1600
		EER	11.0	11.1	9.6
	Capacity	Btu/h	10240	12450	14860
Heating	Input	WA	865	1125	1395
		COP	3.5	3.2	3.1
	Capacity	Btu/h	9400/11600	9400/11600	13900/17000
Electric Heater	Input	WA	2880/3500	2870/3490	4190/5100
		COP	0.95/0.97	0.96/0.97	0.97/0.97
Max Input Consumption		WA	3500	3500	5100
Max Current		A	15.50	15.50	22.20
Indoor Air Flow (L/M/H)		CFM	290/390	290/390	365/440
Indoor Sound Level (L/M/H)		dB(a)	60/62/64	60/62/64	60/62/64
Outdoor Sound Level (L/M/H)		dB(a)	66	66	66
Unit Dimensions (W x H x D)		inch	23-1/9 x 29-1/3 x 23-1/9	23-1/9 x 29-1/3 x 23-1/9	23-1/9 x 29-1/3 x 23-1/9
Package Dimension (W x H x D)		inch	25 x 32-1/16 x 26-3/16	25 x 32-1/16 x 26-3/16	25 x 32-1/16 x 26-3/16
Net/Gross Weight		lbs.	126 / 143	126 / 143	126 / 143
Refrigerant Type			R32	R32	R32
Operation Temperature (Indoor)		°C	16 - 32	16 - 32	16 - 32
		°F	60 - 90	60 - 90	60 - 90
Ambient Temperature (Outdoor)		°C (Cooling)	12 - 48	12 - 48	12 - 48
		°F (Cooling)	54 - 118	54 - 118	54 - 118
		°C (Heating)	-15 - 27	-15 - 27	-15 - 27
		°F (Heating)	5 - 81	5 - 81	5 - 81
Cord Type			LCDI-20A	LCDI-20A	LCDI-30A
Cord Length		Ft	6.5	6.5	6.5

SPECIFICATIONS (HEAT PUMP W/ ELECTRIC HEAT) (CONTINUED)

Model ID			GCVTI-H16KD5-3	GCVTI-H18KD5-3	GCVTI-H24KF7-3
Power Supply	Voltage (1 Ph., 60Hz)	V	230/208V	230/208V	230/208V
	Capacity	Btu/h	16400	18200	22000
Cooling	Input	WA	1600	1890	2400
		EER	10.3	9.7	9.2
	Capacity	Btu/h	16070	18070	20080
Heating	Input	WA	1425	1625	1885
		COP	3.3	3.3	3.1
	Capacity	Btu/h	13900/17000	13900/17000	20000/24500
Electric Heater	Input	WA	4290/5200	4290/5200	6090/7400
		COP	0.95/0.96	0.95/0.96	0.96/0.97
Max Input Consumption		WA	5200	5200	7400
Max Current		A	22.60	22.60	32.20
Indoor Air Flow (L/M/H)		CFM	590/635	635/675	635/720
Indoor Sound Level (L/M/H)		dB(a)	60/62/64	60/62/64	60/62/64
Outdoor Sound Level (L/M/H)		dB(a)	66	66	66
Unit Dimensions (W x H x D)		inch	22-11/16 x 47-1/6 x 24-3/14	22-11/16 x 47-1/6 x 24-3/14	22-11/16 x 47-1/6 x 24-3/14
Package Dimension (W x H x D)		inch	25 x 50 x 26-3/16	25 x 50 x 26-3/16	25 x 50 x 26-3/16
Net/Gross Weight		lbs.	126 / 143	126 / 143	126 / 143
Refrigerant Type			R32	R32	R32
Operation Temperature (Indoor)		°C	16 - 32	16 - 32	16 - 32
		°F	60 - 90	60 - 90	60 - 90
Ambient Temperature (Outdoor)		°C (Cooling)	12 - 48	12 - 48	12 - 48
		°F (Cooling)	54 - 118	54 - 118	54 - 118
		°C (Heating)	-15 - 27	-15 - 27	-15 - 27
		°F (Heating)	5 - 81	5 - 81	5 - 81
Cord Type			LCDI-30A	LCDI-30A	LCDI-50A
Cord Length		Ft	6.5	6.5	6.5