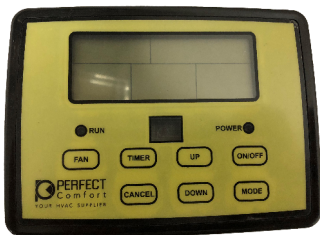




**Digital Control / 24 Volt
Thermostat & EMS Connection**



Model PCEA Series

- 43 1/2" x 15" Replacement PTAC

REPLACES

Remington, Singer, Snyder
General and McQuay EA, ES and RS
Series, Islandaire EZ Series ED,
RSEA, PMRS, PMES, RSHF

FEATURES

- Digital Touchpad
- 24V Thermostat Compatible
- Optional Duct System
- Fresh Air Door
- Standard Model with Heat Pump
- Silent Operation
- Universal Heater 2KW/3KW/5KW
- Easy to Clean Filter
- Easy Installation and Maintenance

The Perfect Fit! The Perfect Choice!

For more information

Call 1-866-233-4022

Email info@perfectcomfort.ca

www.perfectcomfort.ca

Specifications

PCEA Air Conditioner with Electric Heat

Model	Power Supply Volt		Compressor		Indoor Fan Motor		Outdoor Fan Motor		Electric Heat			Unit Electrical Ratings						
	Volt	Min	RLA	LRA	FLA	HP	ELA	HP	HTR#	Volt	W	HA	A/Cooling	Heat Pump	A/Heating	Max. A	MAX HACR BRKR	Plug
PCEA09K235HTM3	208-230	197	3.9	20	0.5	0.1	0.55	0.12	2KW	208	1725	8.2	4.1	4.2	8.8	9.5	15	6-15P
										230	2000	8.8						
									3KW	208	2525	12.1	4.1	4.2	13	14	15	6-20P
										230	3000	13						
									5KW	208	4050	20.5	4.1	4.2	22	23	26	6-25P
										230	5000	22						

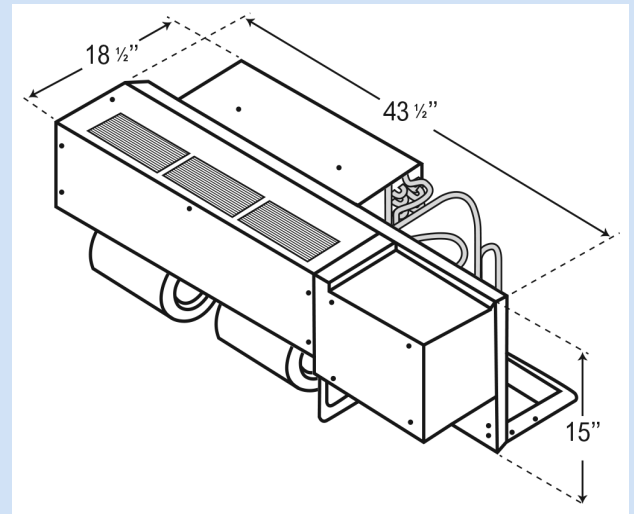
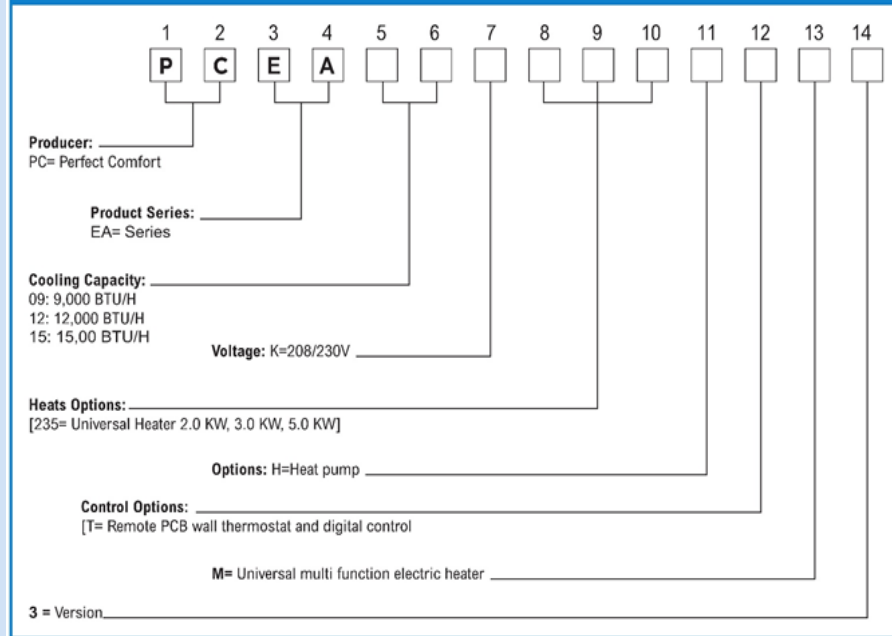
PCEA Air Conditioner with Electric Heat

Model	Power Supply Volt		Compressor		Indoor Fan Motor		Outdoor Fan Motor		Electric Heat			Unit Electrical Ratings						
	Volt	Min	RLA	LRA	FLA	HP	ELA	HP	HTR#	Volt	W	HA	A/Cooling	Heat Pump	A/Heating	Max. A	MAX HACR BRKR	Plug
PCEA12K235HTM3	208-230	197	5.26	28	0.5	0.1	0.55	0.12	2KW	208	1725	8.2	5.1	5	8.8	9.5	15	6-15P
										230	2000	8.8						
									3KW	208	2525	12.1	5.1	5	13	14	15	6-20P
										230	3000	13						
									5KW	208	4050	20.5	5.1	5	22	23	26	6-25P
										230	5000	22						

PCEA Air Conditioner with Electric Heat

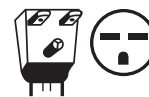
Model	Power Supply Volt		Compressor		Indoor Fan Motor		Outdoor Fan Motor		Electric Heat			Unit Electrical Ratings						
	Volt	Min	RLA	LRA	FLA	HP	ELA	HP	HTR#	Volt	W	HA	A/Cooling	Heat Pump	A/Heating	Max. A	MAX HACR BRKR	Plug
PCEA15K235HTM3	208-230	197	6.55	39	0.5	0.1	0.55	0.12	2KW	208	1725	8.2	8	7.8	8.8	9.5	15	6-15P
										230	2000	8.8						
									3KW	208	2525	12.1	8	7.8	13	14	15	6-20P
										230	3000	13						
									5KW	208	4050	20.5	8	7.8	22	23	26	6-25P
										230	5000	22						

PCEA MODEL CODING



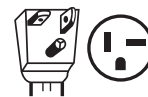
CORD PLUG AND WALL OUTLET (208/230V)

Tandem
Part # PC15S-P



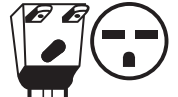
15 AMP

Perpendicular
Part # PC20S-P



20 AMP

Large Tandem
Part # PC30S-P



30 AMP



Call 1-866-233-4022
Email info@perfectcomfort.ca
www.perfectcomfort.ca

DISTRIBUTED BY:

Manufacturer reserves the right to change specifications. Our products are subject to continuous improvements, Perfect Comfort / NRG Equipment reserves the right to modify product design and specifications, discontinue design without notice and without incurring any obligations.