



FEATURES

- Digital Touchpad
- 24V Thermostat Compatible
- Optional Duct System Compatibility
- Fresh Air Door
- Standard Model with Heat Pump
- Silent Operation
- Universal Heater 2KW/3KW/5KW
- Easy to Clean Filter
- Easy Installation and Maintenance

ACCESSORIES

- Wall Sleeve
- Wall Sleeve Extension
- 24V Thermostat (Wired/Wireless)
- Architectural Grille
- Standard Grille
- Power Cord

Accessories Sold Separately

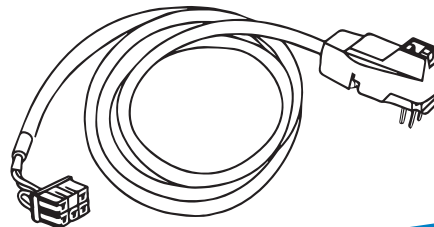
REPLACES

DM, DMA, DMO, DMQ, CS, CSM, DHP Series, Climette - KeepRite™, ZoneAire™, Seasonal, AP, AP-E, TWC - KeepRite™, AVT-Whirlpool™, CHP-ZoneAire™, C - Heil-Quaker™, Wallmate 51P/PH - Carrier™

Digital Thermostat



Universal Power Cord



For more information

Call 1-866-233-4022

Email info@perfectcomfort.ca

www.perfectcomfort.ca

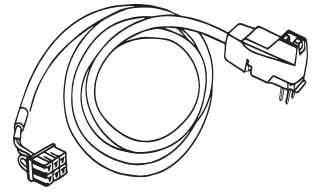
Specifications

PCDM Air Conditioner with Electric Heat																			
Model	Power Supply Volt		Compressor		Indoor Fan Motor		Outdoor Fan Motor		Electric Heat				Unit Electrical Ratings						
	Volt	Min	RLA	LRA	FLA	HP	ELA	HP	HTR#	Volt	W	HA	A/Cooling	Heat Pump	A/Heating	Max. A	MAX HACR BRKR	Plug	
PCDM09K235HTM4	208-230	197	3.9	20	0.5	0.1	0.55	0.12	2KW	208	1725	8.2	4.1	4.3	8.8	9.5	15	6-15P	
										230	2000	8.8							
										3KW	208	2525	12.1	4.1	4.3	13	14	15	6-20P
											230	3000	13						
										5KW	208	4050	20.5	4.1	4.3	22	23	26	6-25P
											230	5000	22						

PCDM Air Conditioner with Electric Heat																			
Model	Power Supply Volt		Compressor		Indoor Fan Motor		Outdoor Fan Motor		Electric Heat				Unit Electrical Ratings						
	Volt	Min	RLA	LRA	FLA	HP	ELA	HP	HTR#	Volt	W	HA	A/Cooling	Heat Pump	A/Heating	Max. A	MAX HACR BRKR	Plug	
PCDM12K235HTM4	208-230	197	5.26	28	0.5	0.1	0.55	0.12	2KW	208	1725	8.2	5.2	5.35	8.8	9.5	15	6-15P	
										230	2000	8.8							
										3KW	208	2525	12.1	5.2	5.35	13	14	15	6-20P
											230	3000	13						
										5KW	208	4050	20.5	5.2	5.35	22	23	26	6-25P
											230	5000	22						

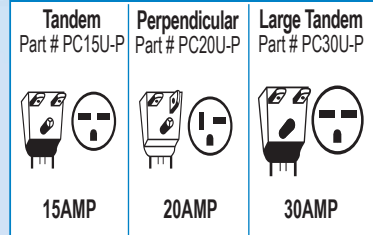
PCDM Air Conditioner with Electric Heat																			
Model	Power Supply Volt		Compressor		Indoor Fan Motor		Outdoor Fan Motor		Electric Heat				Unit Electrical Ratings						
	Volt	Min	RLA	LRA	FLA	HP	ELA	HP	HTR#	Volt	W	HA	A/Cooling	Heat Pump	A/Heating	Max. A	MAX HACR BRKR	Plug	
PCDM15K235HTM4	208-230	197	6.55	39	0.5	0.1	0.55	0.12	2KW	208	1725	8.2	7.8	8.05	8.8	9.5	15	6-15P	
										230	2000	8.8							
										3KW	208	2525	12.1	7.8	8.05	13	14	15	6-20P
											230	3000	13						
										5KW	208	4050	20.5	7.8	8.05	22	23	26	6-25P
											230	5000	22						

UNIVERSAL POWER CORD

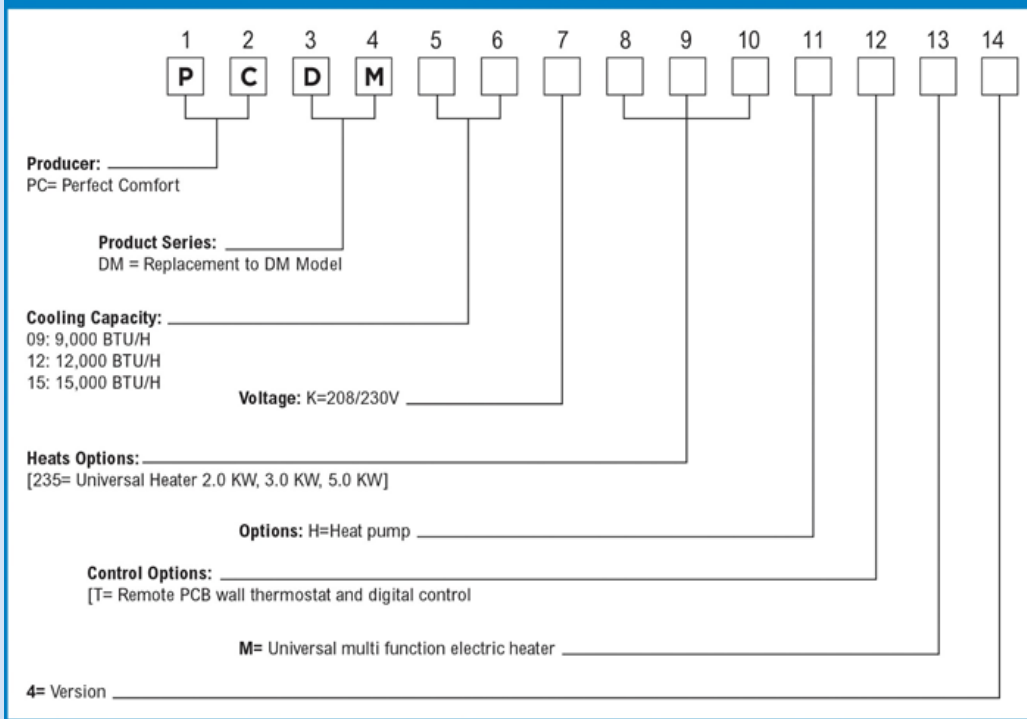


Note: Perfect Comfort unit is not equipped with a power cord and must be ordered individually. Selection is based on voltage and amperage.

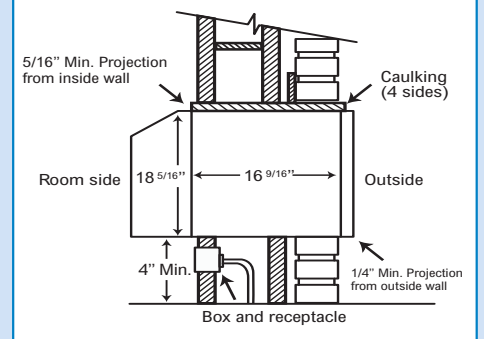
CORD PLUG AND WALL OUTLET (208/230V)



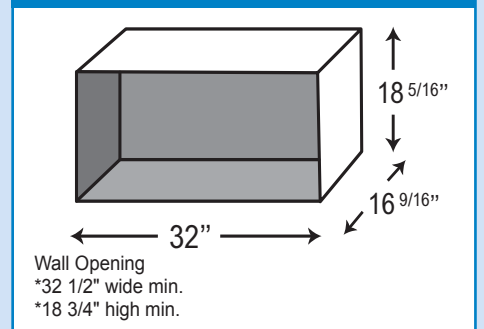
PCDM MODEL CODING



MINIMUM WALL SLEEVE OPENING



WALL SLEEVE DIMENSIONS



For more information

Call 1-866-233-4022
Email info@perfectcomfort.ca
www.perfectcomfort.ca



DISTRIBUTED BY:

Manufacturer reserves the right to change specifications. Our products are subject to continuous improvements, Perfect Comfort / NRG Equipment reserves the right to modify product design and specifications, discontinue design without notice and without incurring any obligations.