

Model PCKK Series

- 36 1/4" x 13 11/16" Replacement PTAC

REPLACES

Remington, Singer and McQuay K
EK, KF, PK

FEATURES

- Silent Operation
- Universal Heater
- Three Fan Speed
- R410A Refrigerant
- Attractive Appearance
- Easy to Clean Filter
- Control Options: Digital Control/
24 Volt Wall Thermostat &
EMS Connection



Digital Thermostat



The Perfect Fit! The Perfect Choice!

For more information

Call 1-866-233-4022

Email info@perfectcomfort.ca

www.perfectcomfort.ca

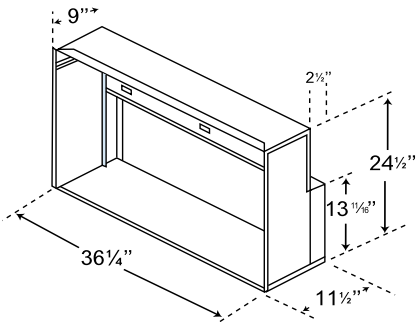
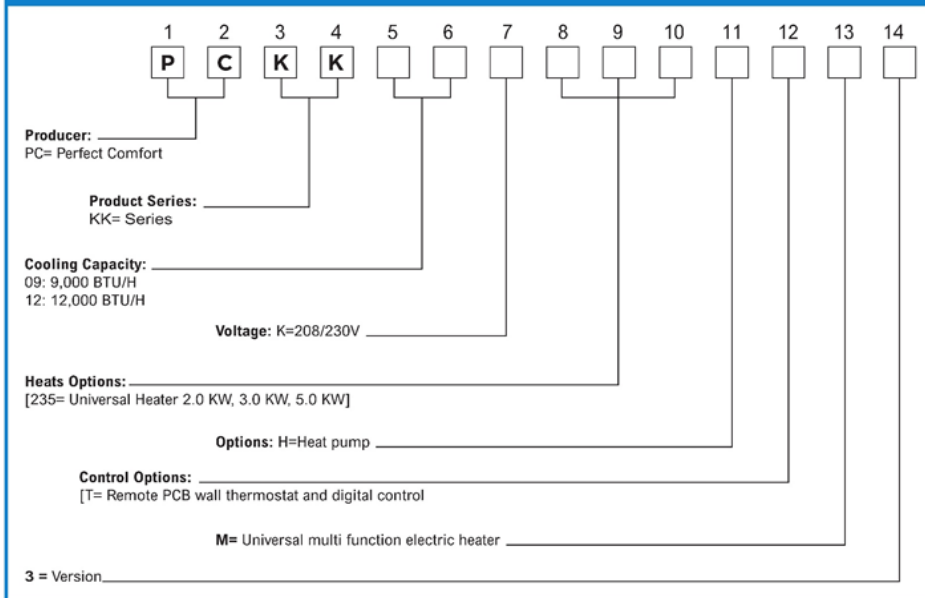
PCKK Air Conditioner with Electric Heat

Model	Power Supply Volt		Compressor		Indoor Fan Motor		Outdoor Fan Motor		Electric Heat			Unit Electrical Ratings							
	Volt	Min	RLA	LRA	FLA	HP	ELA	HP	HTR#	Volt	W	HA	A/Cooling	Heat Pump	A/Heating	Max. A	MAX HACR BRKR	Plug	
PCKK09K235HTM3	208-230	197	3.9	20	0.5	0.1	0.55	0.12	2KW	208	1725	8.2	4.1	4	8.8	9.5	15	6-15P	
										230	2000	8.8							
										3KW	208	2525	12.1	4.1	4	13	14	15	6-20P
											230	3000	13						
										5KW	208	4050	20.5	4.1	4	22	23	26	6-25P
											230	5000	22						

PCKK Air Conditioner with Electric Heat

Model	Power Supply Volt		Compressor		Indoor Fan Motor		Outdoor Fan Motor		Electric Heat			Unit Electrical Ratings						
	Volt	Min	RLA	LRA	FLA	HP	ELA	HP	HTR#	Volt	W	HA	A/Cooling	Heat Pump	A/Heating	Max. A	MAX HACR BRKR	Plug
PCKK12K235HTM3	208-230	197	5.26	28	0.5	0.1	0.55	0.12	2KW	208	1725	8.2	5.2	5.1	8.8	9.5	15	6-15P
										230	2000	8.8						
									3KW	208	2525	12.1	5.2	5.1	13	14	15	6-20P
										230	3000	13						
									5KW	208	4050	20.5	5.2	5.1	22	23	26	6-25P
										230	5000	22						

PCKK MODEL CODING



CORD PLUG AND WALL OUTLET (208/230V)		
Tandem Part # PC15S-P 15 AMP	Perpendicular Part # PC20S-P 20 AMP	Large Tandem Part # PC30S-P 30 AMP

For more information

Call 1-866-233-4022
 Email info@perfectcomfort.ca
www.perfectcomfort.ca



DISTRIBUTED BY:

Manufacturer reserves the right to change specifications. Our products are subject to continuous improvements, Perfect Comfort / NRG Equipment reserves the right to modify product design and specifications, discontinue design without notice and without incurring any obligations.